

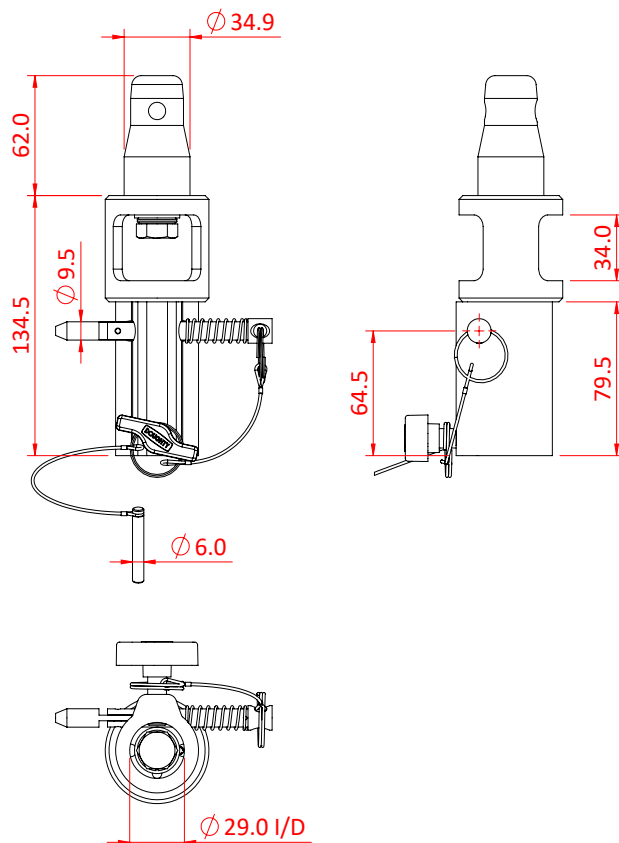


3 Point Receiver with Half Connector

Product Data Sheet



A 3 Point Receiver fitted with a Tapered Connector	
Part Nos	T45751
Receiver	29mm
Finish	Powder painted satin black
Materials	AW6082 T6 Aluminium
WLL	100Kg
Safety Factor	5:1



Dimensions in mm