

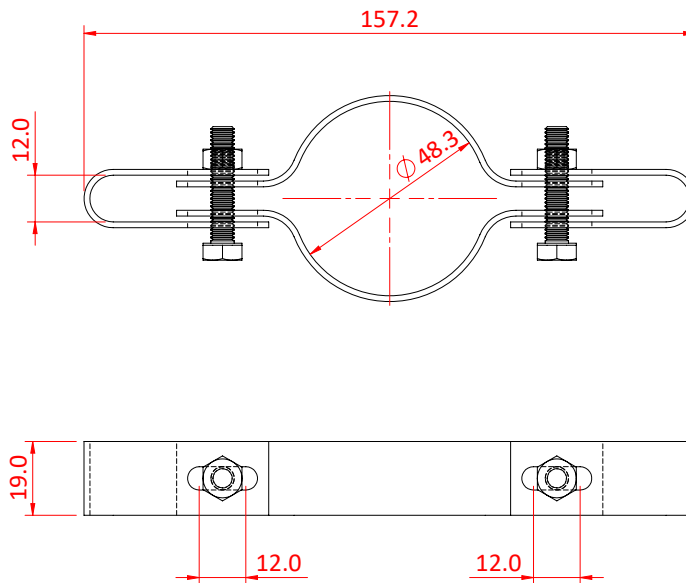


Product Data Sheet

Pipeclamp Mesh Panel Clips Double



| | |
|--|---|
| A galvanised steel Pipe Clamp fitting. | |
| Part Nos | T17100 - Galvanised |
| Tube Diameter | Ø48.3mm |
| Materials | Malleable Iron Fixings - Grade 8.8 BZP |
| Max Tightening Torque | N/A |
| WLL | N/A |
| Weight | 0.08Kg |



DIMENSIONS ARE A GUIDE ONLY AND MAY VARY