



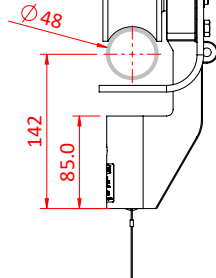
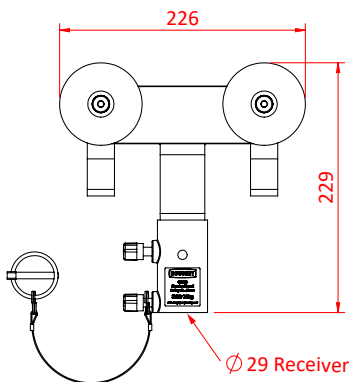
Standard Barrel Trolleys

Product Data Sheet



An Aluminium Barrel Trolley	
Part Nos	G1600 - Barrel Trolley G1642 - Braked Barrel Trolley
Tube Diameter	Ø48mm
Receiver	Ø29mm
Materials	Cast Aluminium Nylon Grade 8.8 Fasteners
WLL	75Kg
Weight	2.5Kg

G1600



G1642

