



USER MANUAL

Ladder Truss Adaptors



Original Instructions

Part No's:

T58700 & T58701

Introduction	2
Safety Information	4
Operation	6
Inspection, Discard and Rejection Criteria	7
Maintenance	8
Faults, Repair and Replacement	10
Disposal and Warranty	11
Data Sheets	12
Inspection List	14
EC Declaration	15
Contact Details	16

Doughty Ladder Truss Adaptors are devices designed specifically for lifting and suspending truss sections with a tube diameter of 48 - 51mm. The Ladder Truss Adaptor is only suitable for use with Ladder Truss sections. It should be used by two people to rig a truss between two winch stands. Each stand can be raised at the same time until the required height is achieved.

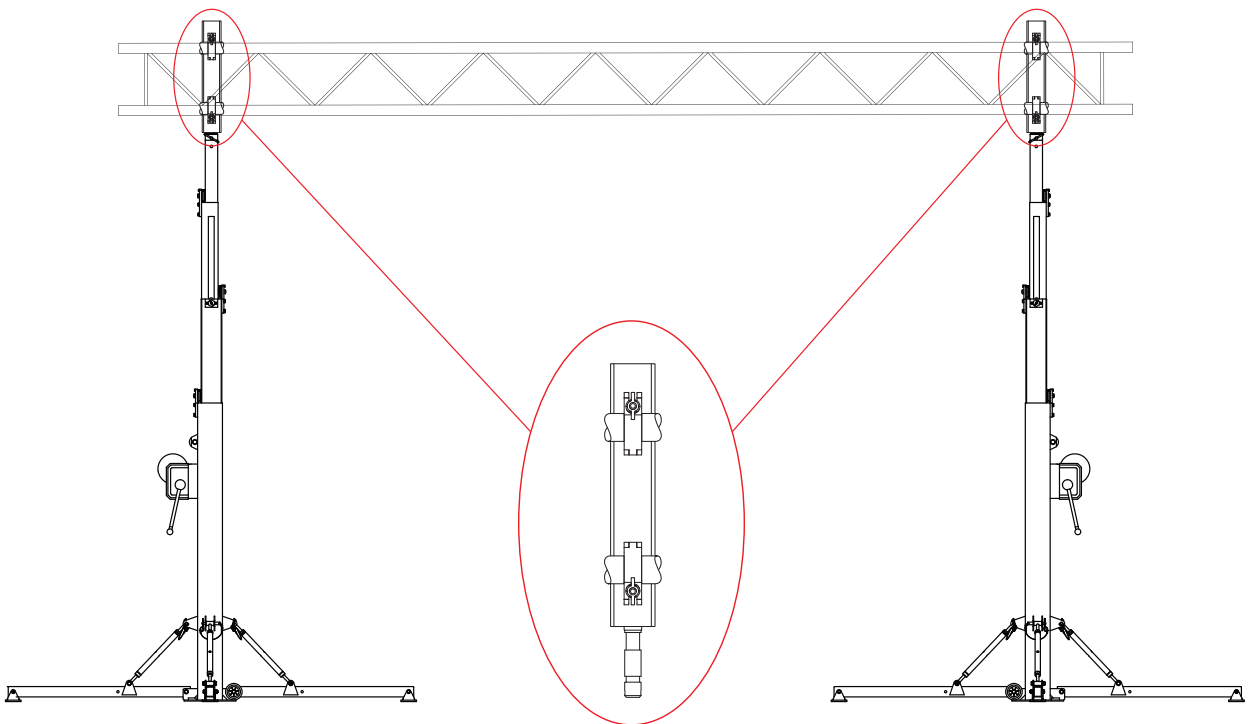
Ladder Truss Adaptors are available in the following sizes:

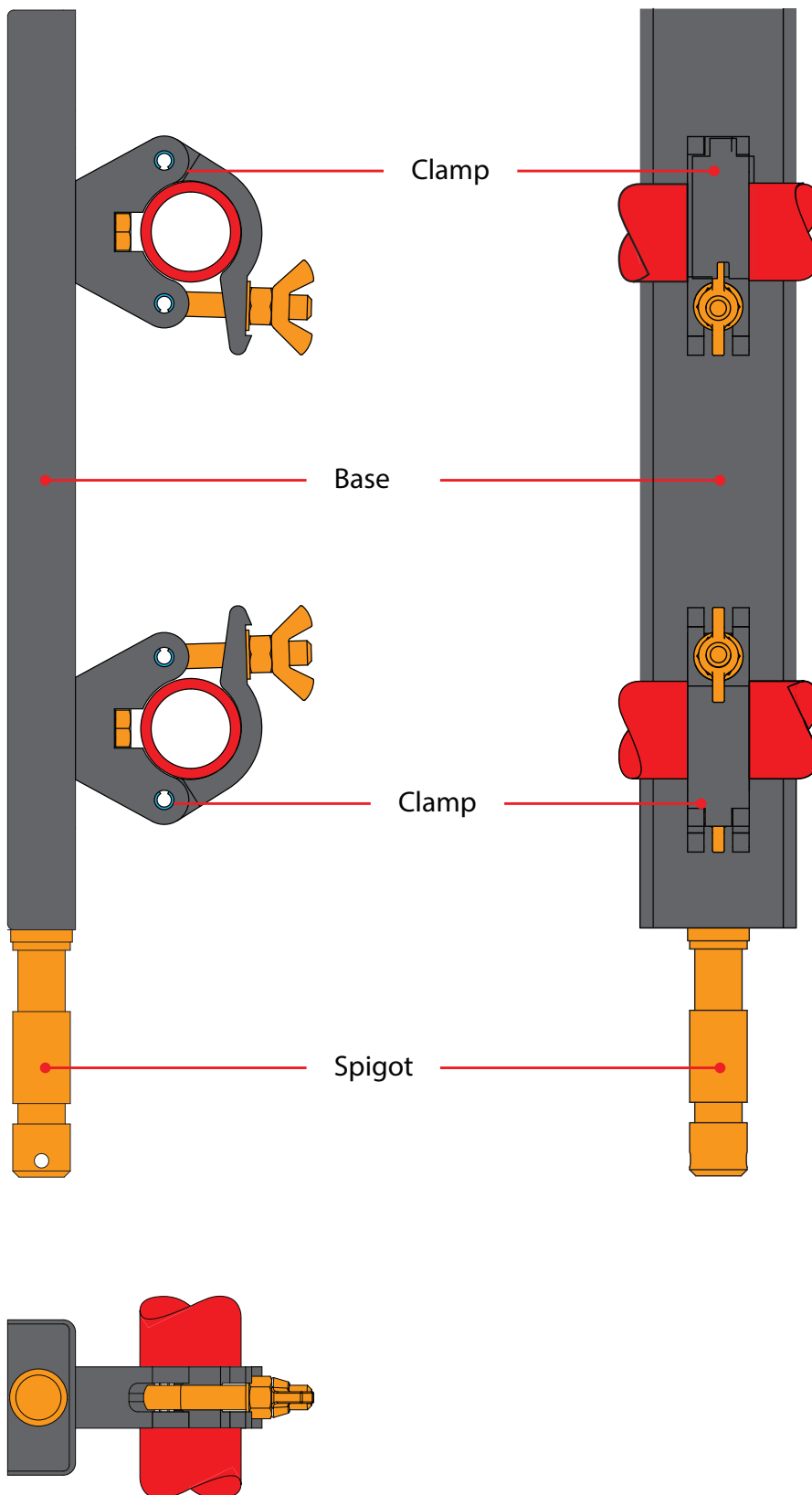
Ladder Truss Adaptors

T58700 - WLL 200Kg - 150-250mm Centres

T58701 - WLL 200Kg - 200-400mm Centres

Safety Factor 5:1





For health and safety reasons people assembling, disassembling, transporting, maintaining and cleaning Ladder Truss Adaptors should wear adequate Personal Protection Equipment such as, but not limited to; gloves, hard hats and safety shoes.



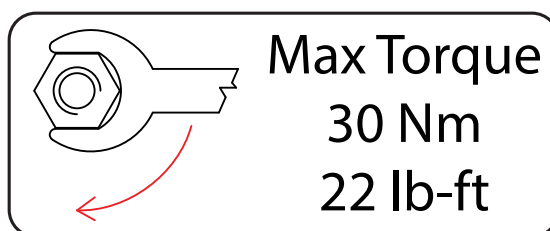
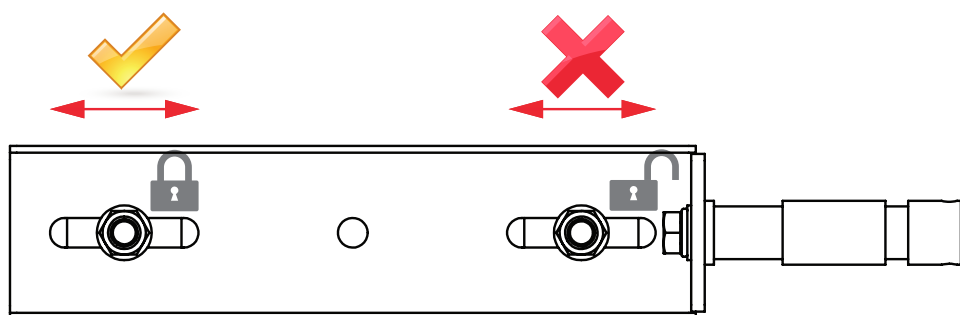
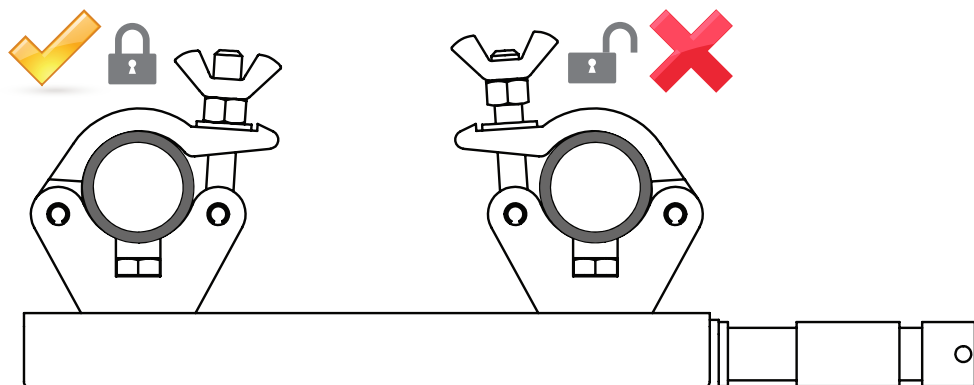
Warning

- Ladder Truss Adaptors must only be installed and used by qualified/competent persons. Salt water environments require cleaning with fresh water at least once per week.
- DO NOT exceed the working load limit indicated for the Ladder Truss Adaptors
- Resulting forces on the supporting structure are approved by a competent person.
- All loads imposed shall be considered, e.g. dynamic forces caused by lifting machinery.
- Nuts and bolts shall be tightened by means of a tool in such a manner they cannot be released by manpower.
- When loads are using electrical power, equip-potential bonding shall be put in place.
- Ladder Truss Adaptors must be taken out of service immediately if, during use, repair or maintenance any serious damage is discovered.
- Maintenance and repairs can be undertaken only by authorised personnel. If in any doubt contact the manufacturer.
- DO NOT throw Ladder Truss Adaptors.

- Organisational measures should be implemented to keep the area beneath work operations clear of people during installation.
- Ladder Truss Adaptors can be operated in -20° Celsius and up to +60° Celsius.
- Ladder Truss Adaptors are not to be used for construction purposes unless approved by a chartered engineer.
- Ladder Truss Adaptors should only be used on steel and aluminium truss.
- The User Manual informs to ensure that couplers are seated correctly on a truss i.e. not seated on a weld, as this may cause the bar to become loose during lifting/suspension operations.
- Where Ladder Truss Adaptors are used in an outdoor environment the support structure must be fitted with earth protection against lightening.

Operation

When moving or checking the couplers make sure that the eye bolt and fixing bolts are properly secured.



The maximum torque for securing the couplers and clamping the truss is 30Nm.

Overtightening the couplers will reduce their lifespan and can damage the truss.



COMMISSIONING

Warning

Before applying a load, check that all connections are properly made and check if all parts are in good order. If any fault is found, mark the product clearly and remove from service.

INITIAL INSPECTIONS

When first acquired, whether they are new or used, Ladder Truss Adaptors should be inspected and a record of the inspection maintained.

REGULAR INSPECTIONS

Regular visual inspections should be carried out. Regular inspections should be performed by a competent person and should be carried out prior to each incident of use.

If you see any damage including cracks, deformation or missing parts, the product must be removed from service and returned to an Approved Service Agent for evaluation/repair.

INSPECTION FREQUENCY

SWIVEL TRUSS ADAPTORS IN REGULAR SERVICE

Ladder Truss Adaptors in regular service should be subjected to regular and periodic inspections. The frequency of inspections should be determined on the basis of the frequency and intensity of use.

PERMANENT INSTALLATIONS

Periodic inspections should be carried out in accordance with an inspection routine established by a qualified person, on all Ladder Truss Adaptors that are installed in a permanent configuration.

RECORDS

Records of initial inspections and periodic inspections should be kept by the owner for each Ladder Truss Adaptors and should be signed and dated by the person carrying out the inspections.



Safety Instructions

Although under normal use and environmental circumstances, Ladder Truss Adaptors need little maintenance, for safety reasons, all parts must be checked regularly for damage, cracks and corrosion.

NOTICE

The Ladder Truss Adaptors shall be checked in compliance with the local law by a competent person. Checking shall take place as often as required but at a minimum of once a year. If in doubt contact the manufacturer.

- Approved personnel must carry out a visual and functional test before every usage.
- Check all components for damage and corrosion. Damaged and corroded parts shall be exchanged with like for like approved replacement parts.
- Burrs and sharp edges shall be removed using fine sandpaper or a file.
- Maintenance and repairs must only be carried out by a competent person. If in doubt, contact the manufacturer.
- Do not use any mechanical abrasive machine to remove sharp edges from Ladder Truss Adaptors
- Only use hot water and soap to remove dirt from Ladder Truss Adaptors - DO NOT use abrasive fluids.

- Approved personnel must carry out a visual and a function test before every usage.
- Approved personnel must carry out more detailed inspection and testing of the product on a regular basis depending on the usage of the product.
- Written records should be kept from the date the product was put into operation.



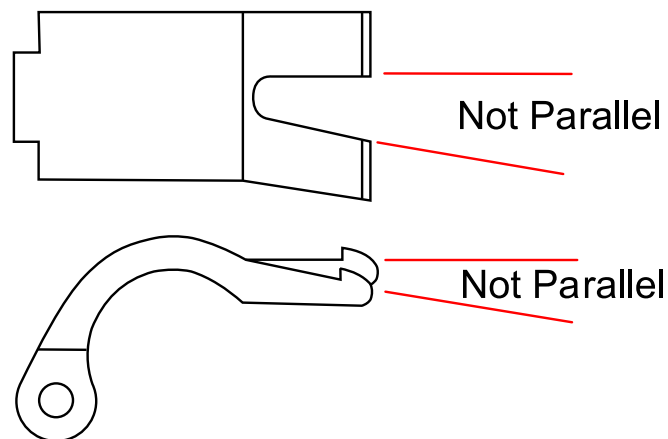
Warning

- The installer/operator must read and understand the User Manual before using the equipment.
- Operators shall be adequately instructed and fully understand the safe use of the equipment before use.
- Failure to carry out maintenance as necessary, including the replacement of parts to the correct standard could render this equipment unsafe and the manufacturer cannot accept any responsibility in this respect.
- Only use approved spare parts.
- DO NOT modify the equipment as this could lead to a critical failure.
- DO NOT use this equipment for a purpose that it is not intended. This could lead to a failure of the equipment and a risk of falling objects.

The following faults could be an indication of overload or misuse. Remove those clamps from service.

- Deformation of the lid (see diagram).
- Nuts which cannot be turned by hand.
- Eyebolts which do not swivel properly.
- Lids which do not swivel properly.
- Clamp does not fit around the pipe.

Typical Deformation Examples



REPAIRS AND REPLACEMENT OF PARTS

If the Ladder Truss Adaptors is damaged, contact the manufacturer.

DISPOSAL

Products that are no longer needed can be scrapped. Preferably remove all steel parts, store parts separately before offering them to a scrapping company. The following alloys are used:

- Aluminium 6082 T6
- Mild Steel S275
- Steel 8.8
- Stainless

WARRANTY

- For a period of 12 months we undertake to repair, free of charge any damage attributable to faulty materials or workmanship, provided that the appliance is forwarded, freight paid, to our works or one of the Doughty appointed service agents.
- The guarantee-period begins on the day of the delivery, proven by a purchase receipt like an invoice or delivery note or their copies.
- The guarantee only is applicable for new equipment.
- The guarantee does not cover damage due to transport damage, negligent handling, overload or parts subject to normal wear and tear. Nor damages that originate from a case of misuse because of non-observance the instructions in this manual.
- The fitting of non-original replacement parts or modifications of design by third parties invalidates the guarantee.
- Guarantee repairs do not renew nor extend the guarantee-period.
- In case of a claim under the guarantee or spare part requirements please contact your Doughty service agent.
- The manufacturer is not liable for indirect consequential damage or financial loss.
- The manufacturer is not liable for any changes made to the Ladder Truss Adaptors or for any damage resulting from such changes.



Ladder Truss Adaptor

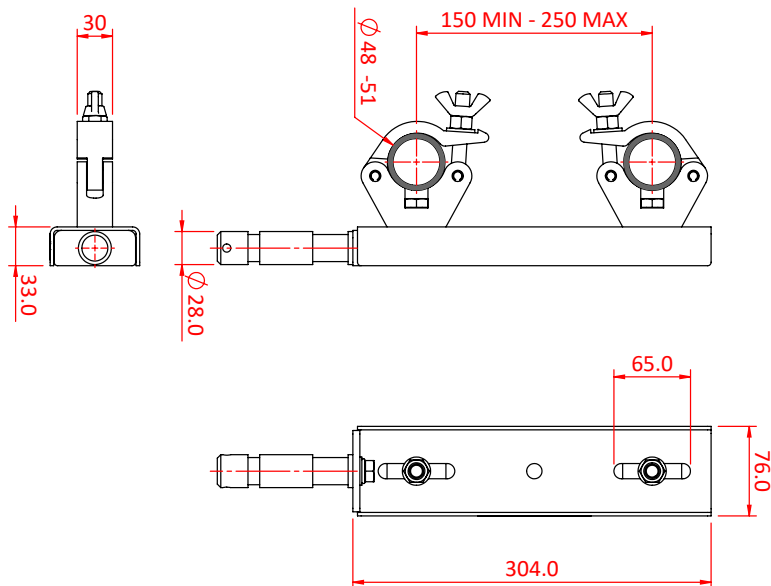
Product Data Sheet



A Ladder Truss Adaptor	
Part Nos	T58700 - 150-250mm centres T58701 - 200-400mm centres
Tube Diameter	Ø48 - 51mm
Materials	Aluminium AW6082 T6 - Clamps S275 Mild Steel - Plate Grade 8.8 - Fixings Stainless - Roll Pins and Spigot
Finish	Polished
Max Tightening	30Nm
WLL	200Kg
Safety factor	5:1

Dimensions in mm

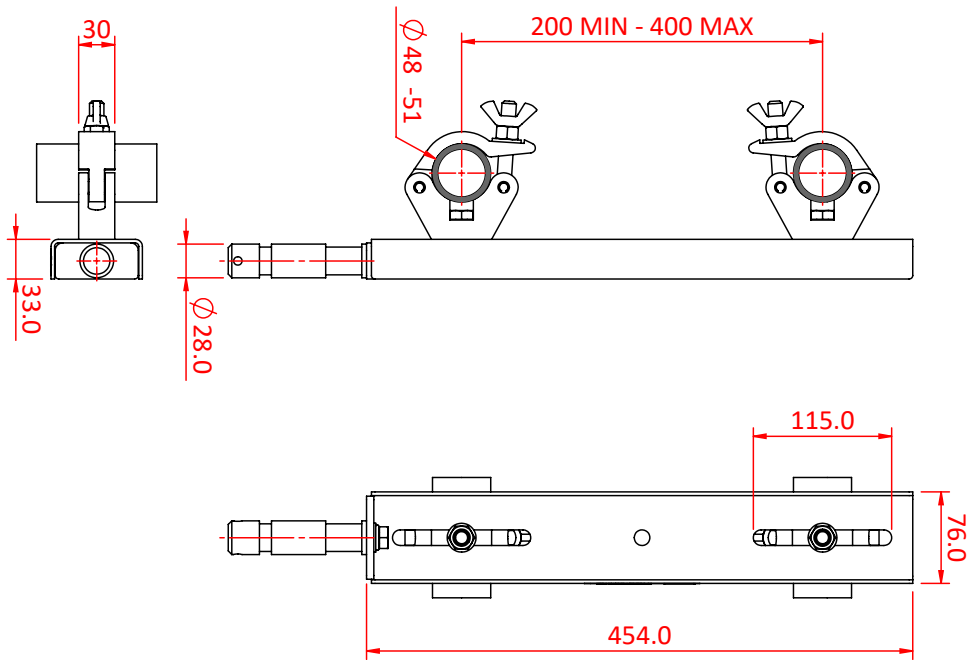
T58700



Doughty Engineering Ltd - Crow Arch Lane, Ringwood, Hampshire, BH24 1NZ, UK
+44 (0) 1425 478961, sales@doughty-engineering.co.uk - www.doughty-engineering.co.uk

T58701

Dimensions in mm





Engineering Ltd

EC-DECLARATION OF CONFORMITY

According to the Machinery Directive 2006/42/EEC Annex II

Doughty Engineering Ltd

Crow Arch Lane
Ringwood
Hampshire
BH24 1NZ

Herewith declares that:

T58700 & T58701

Ladder Truss Adaptors

Are in compliance with the following harmonized standards/standards/regulations:

Machinery Directive 2006/42/EEC annex II

- Machinery Directive 2006/42/EC;
- BS EN 12100:2010 – Safety of Machinery – General Principles of Design – Risk Assessment and Risk Reduction.
- BS 7906-1:2005 - Lifting Equipment for Performance, Broadcast and Similar Applications;
- DGUV 17 – Regulations for Stages and Studios
- DGUV Information 215-313

Signed for and behalf of **Doughty Engineering Ltd**

Name **Dan Phillips**

A handwritten signature in black ink, appearing to be "DP" or similar initials.

Position **Company Director** being the person responsible appointed by the manufacturer.

Company Registration No. London 972614
Registered Office: Crow Arch Lane, Ringwood, Hants, BH24 1NZ
Directors: J.C.G. Chiverton. S.C. Wright. D. Phillips. D.M. Chorley



Doughty Engineering Ltd

Crow Arch Lane

Ringwood

Hampshire

BH24 1NZ

Telephone: +44 (0) 1425 478961

Email: sales@doughty-engineering.co.uk

Website: www.doughty-engineering.co.uk

Note: Whilst every effort has been made to ensure that the information contained within this manual is correct, Doughty Engineering does not accept any liability for errors or omissions. Specifications and technical data are intended for guidance purposes only and may vary.