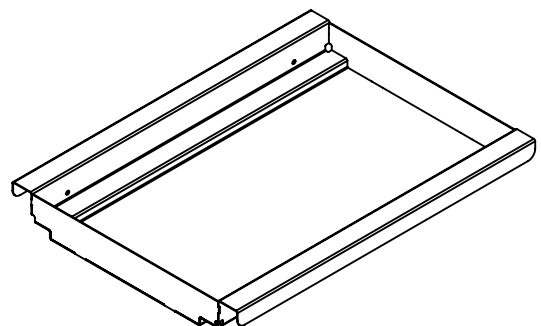


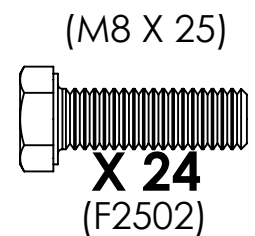
COMPLETE TROLLEY

PARTS LIST - PART NUMBERS IN BRACKETS

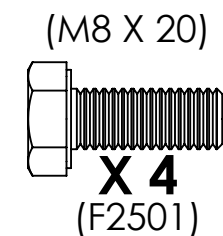
**TOOLS NEEDED:
2 X 13MM SPANNER
8MM HEX DRIVE**



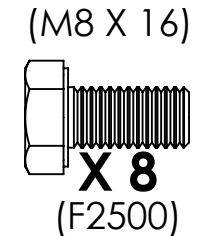
X 1
(TH4847)



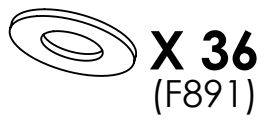
(M8 X 25)
X 24
(F2502)



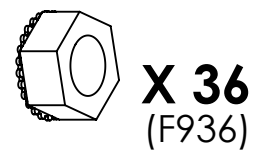
(M8 X 20)
X 4
(F2501)



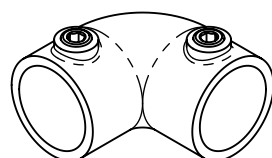
(M8 X 16)
X 8
(F2500)



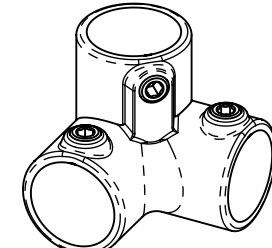
X 36
(F891)



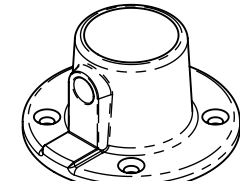
X 36
(F936)



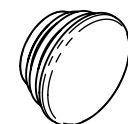
X 2
(T12500)



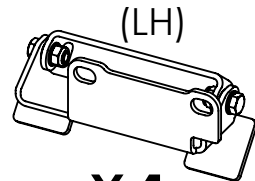
X 2
(T12800)



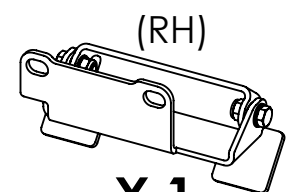
X 2
(T13100)



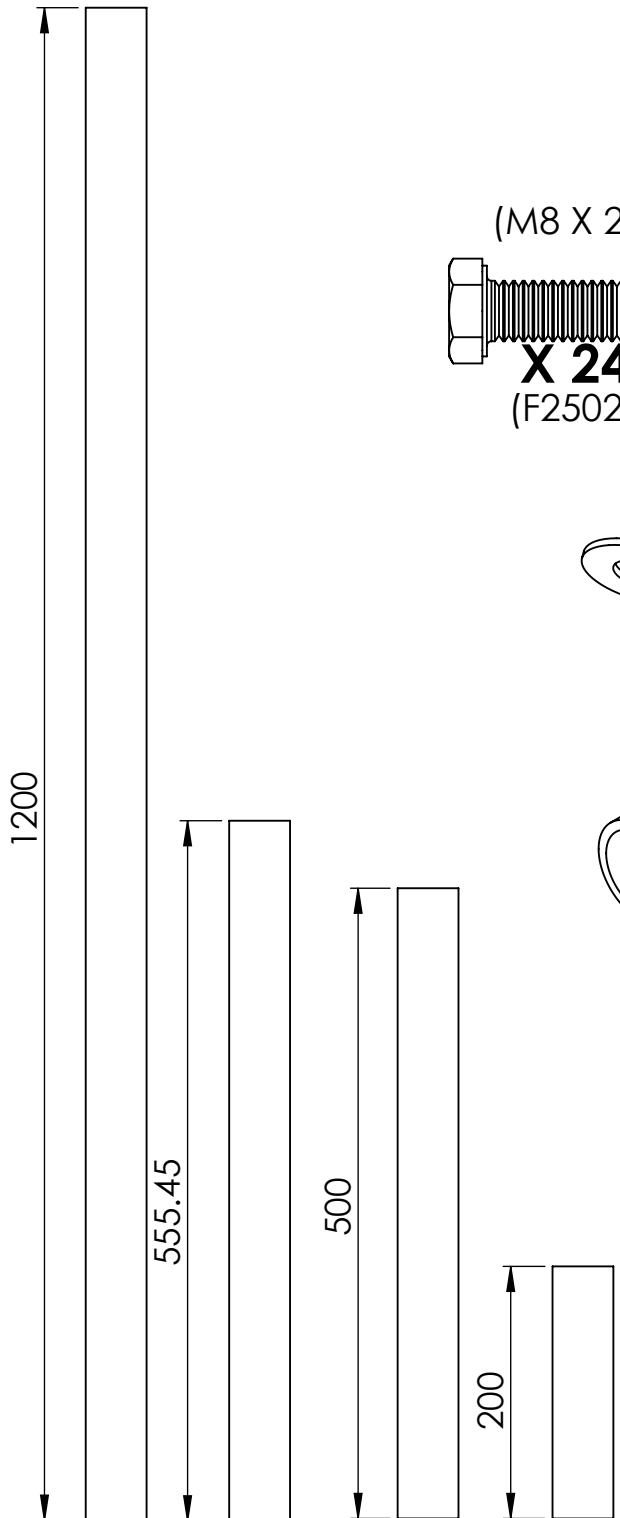
X 4
(T13301)



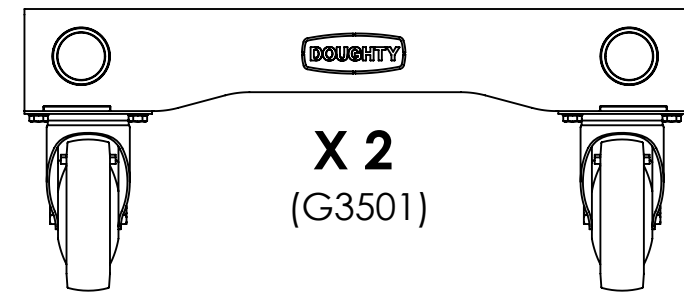
(LH)
X 1
(TH4875)



(RH)
X 1
(TH4876)



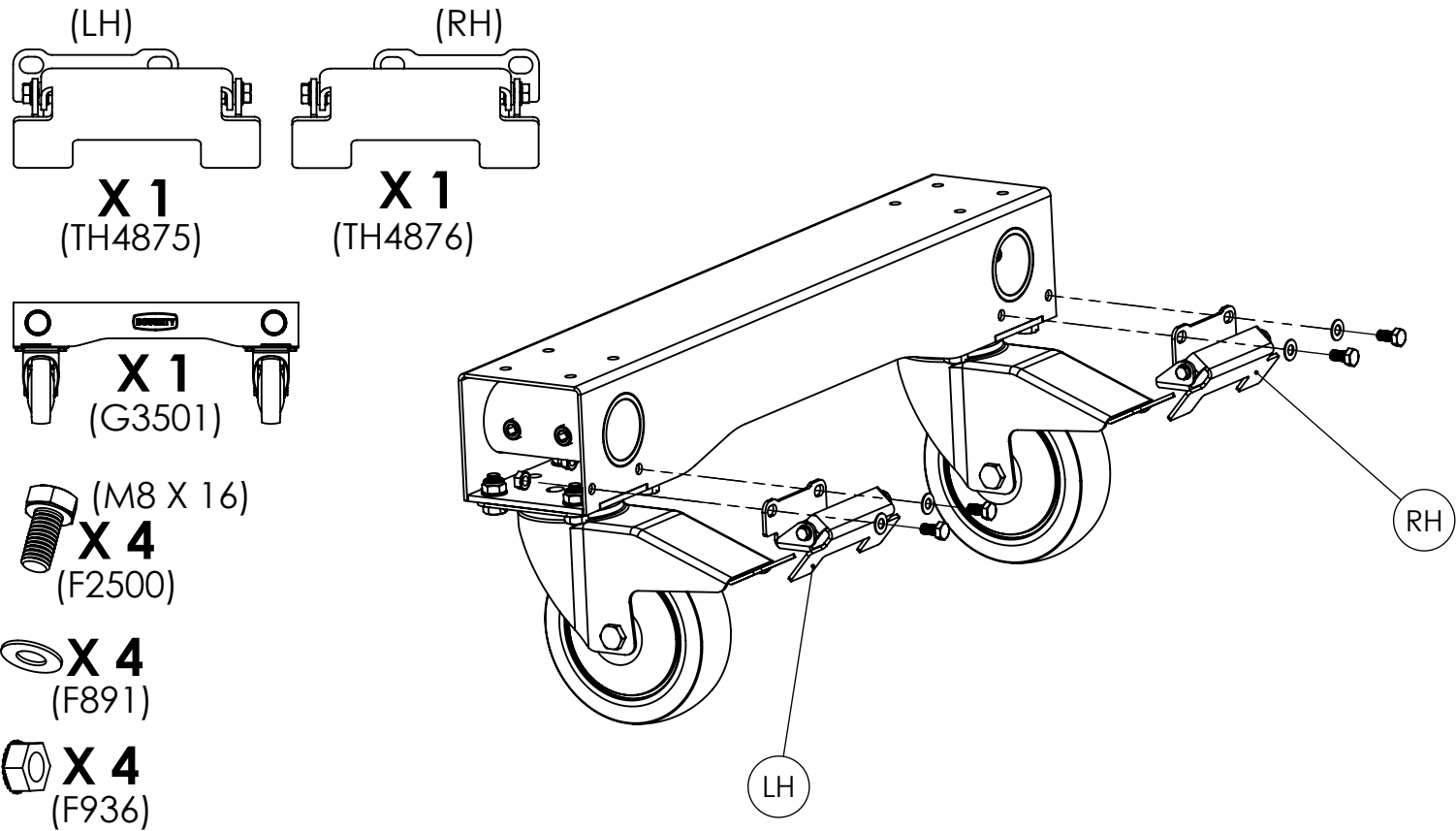
X 2 (T24000) **X 2** (T24000) **X 2** (T24000) **X 2** (T24000)



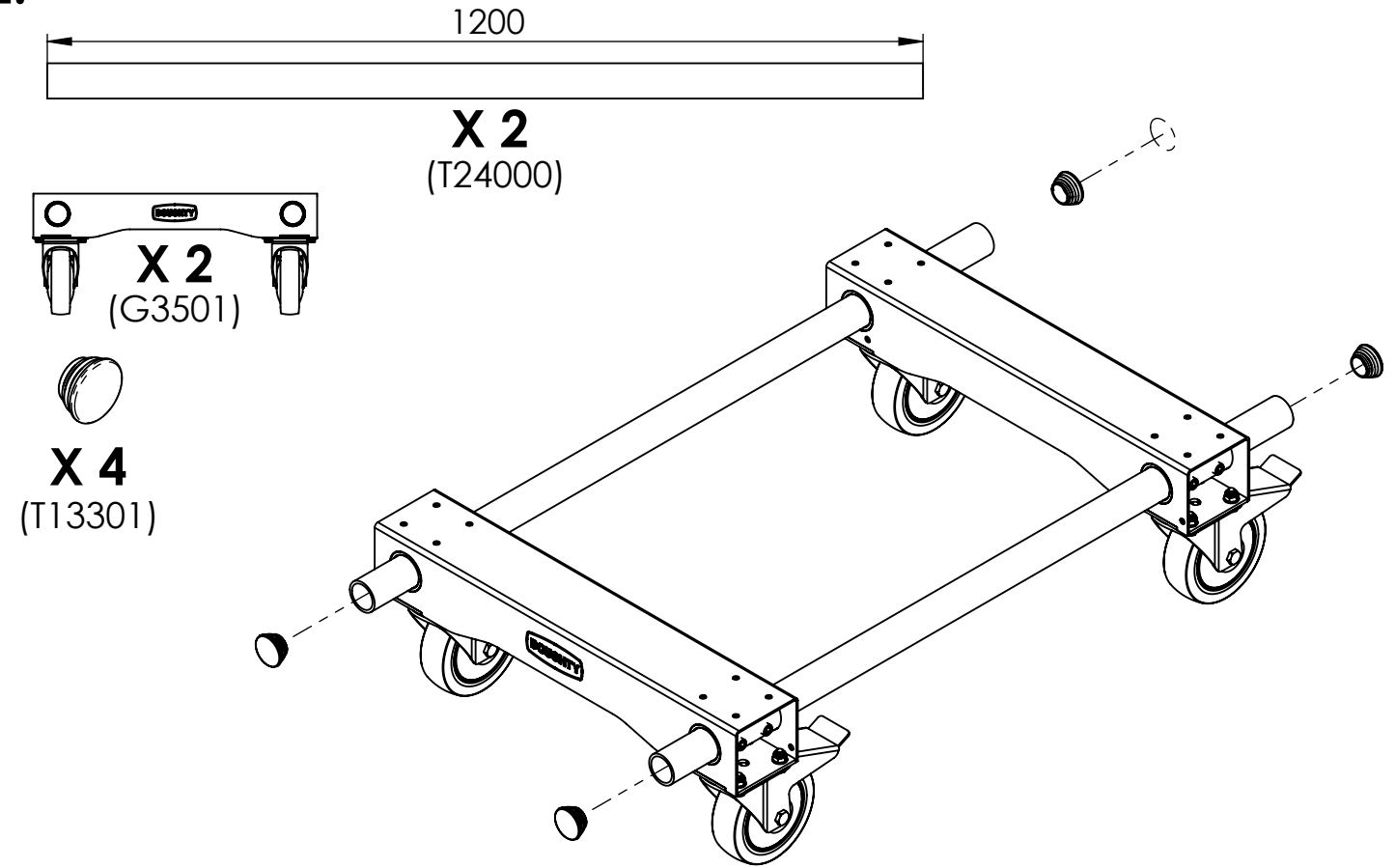
X 2
(G3501)

TITLE	BRACE WEIGHT TRANSPORTER TROLLEY
DWG NO	G3505 SHEET 1 OF 5

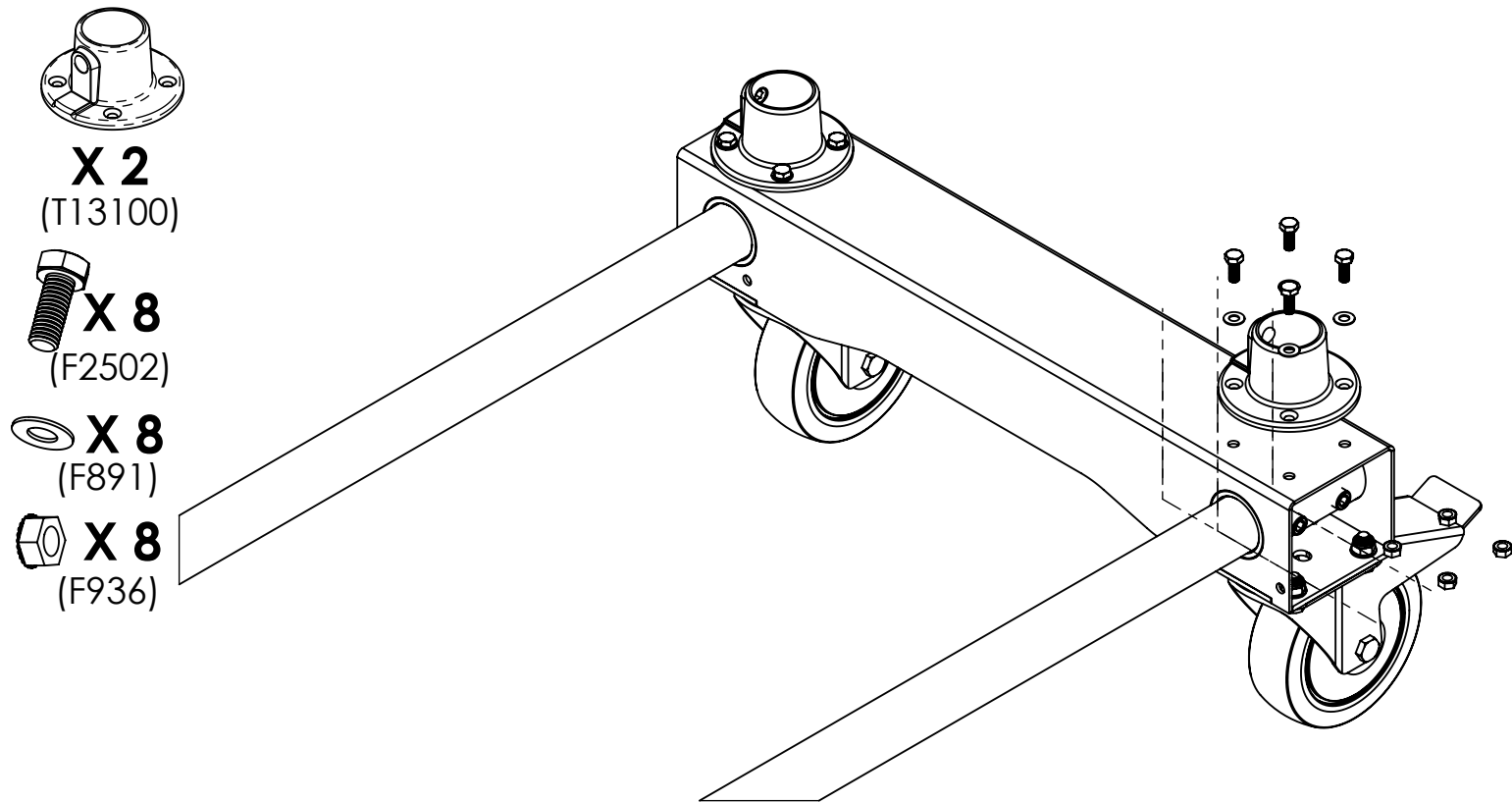
1. HAND TIGHTEN ALL FASTENERS UNTIL FINISHED



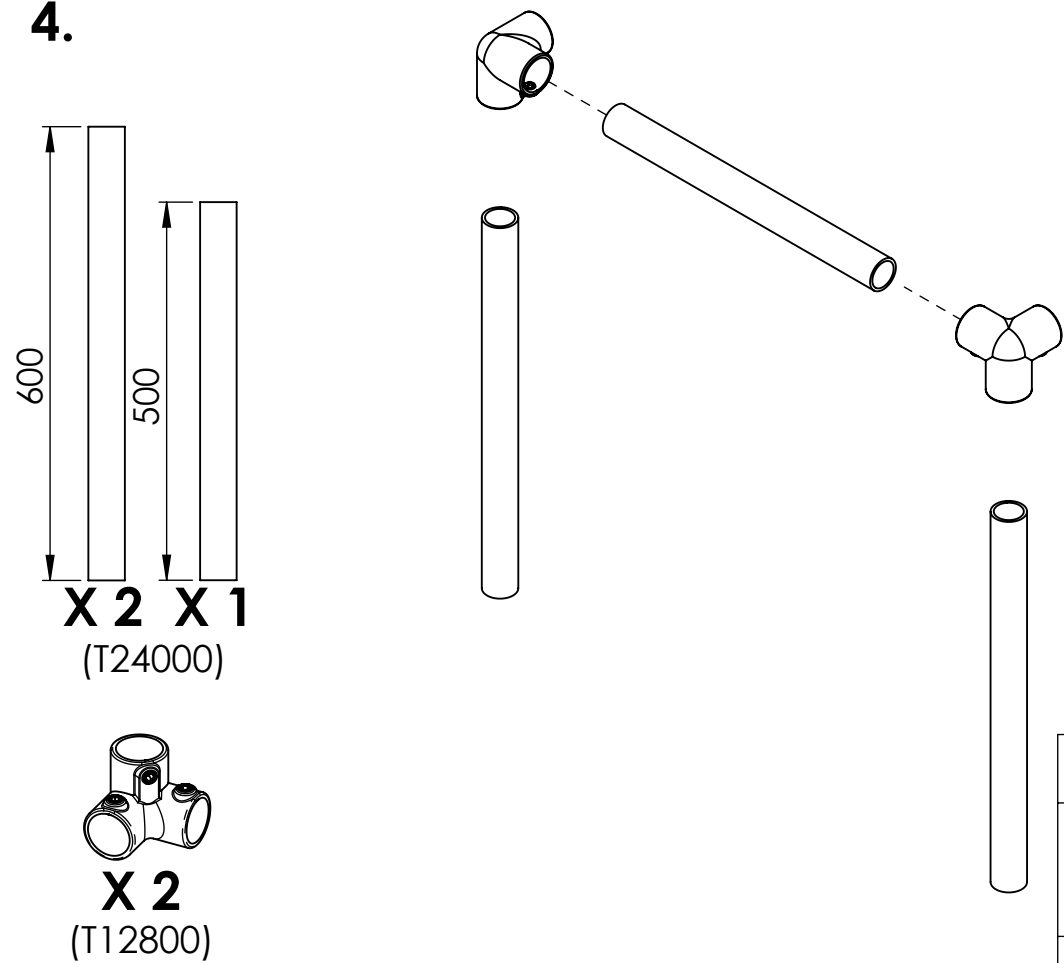
2.



3.



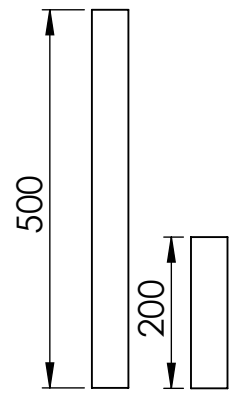
4.



DOUGHTY

TITLE	BRACE WEIGHT TRANSPORTER TROLLEY
DWG NO	G3505 SHEET 2 OF 5

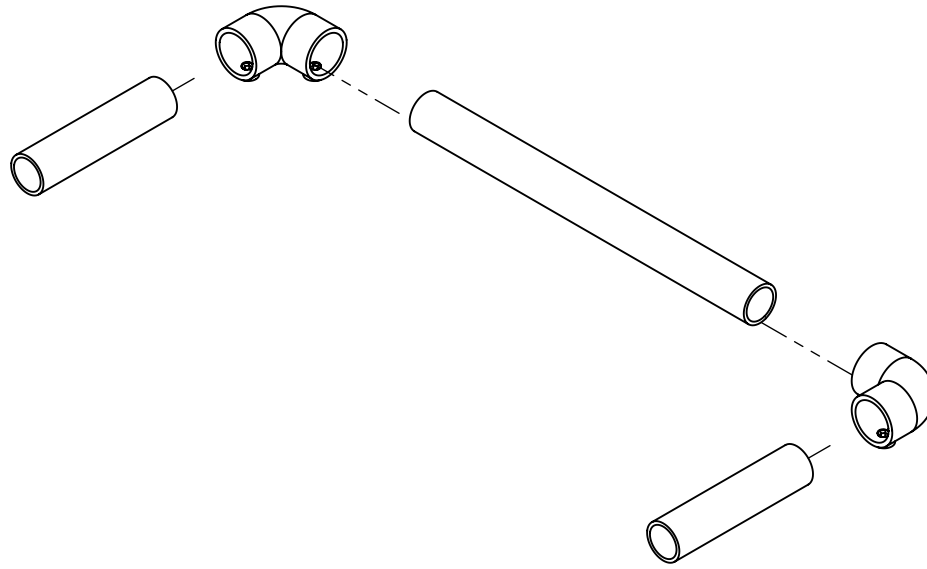
5.



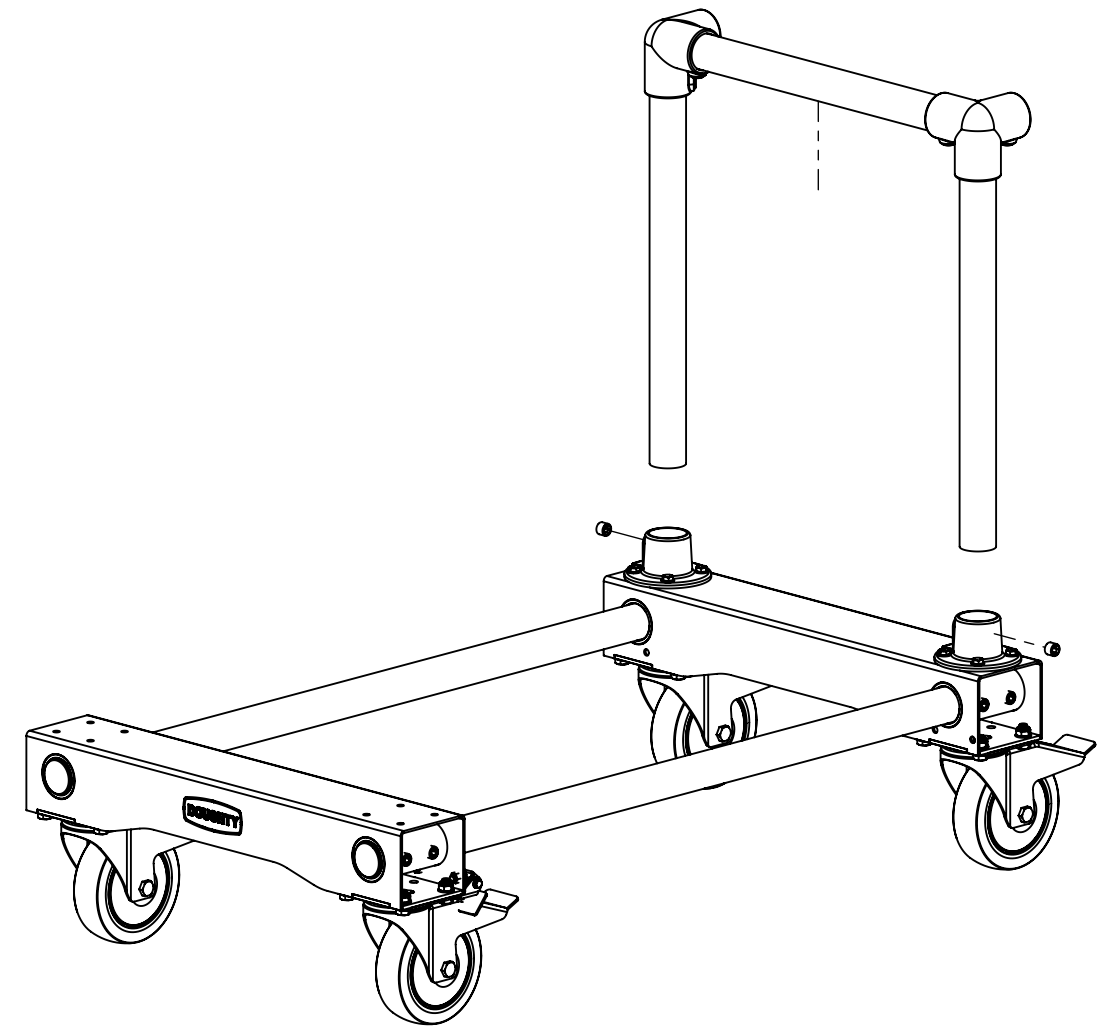
X 1 X 2
(T24000)



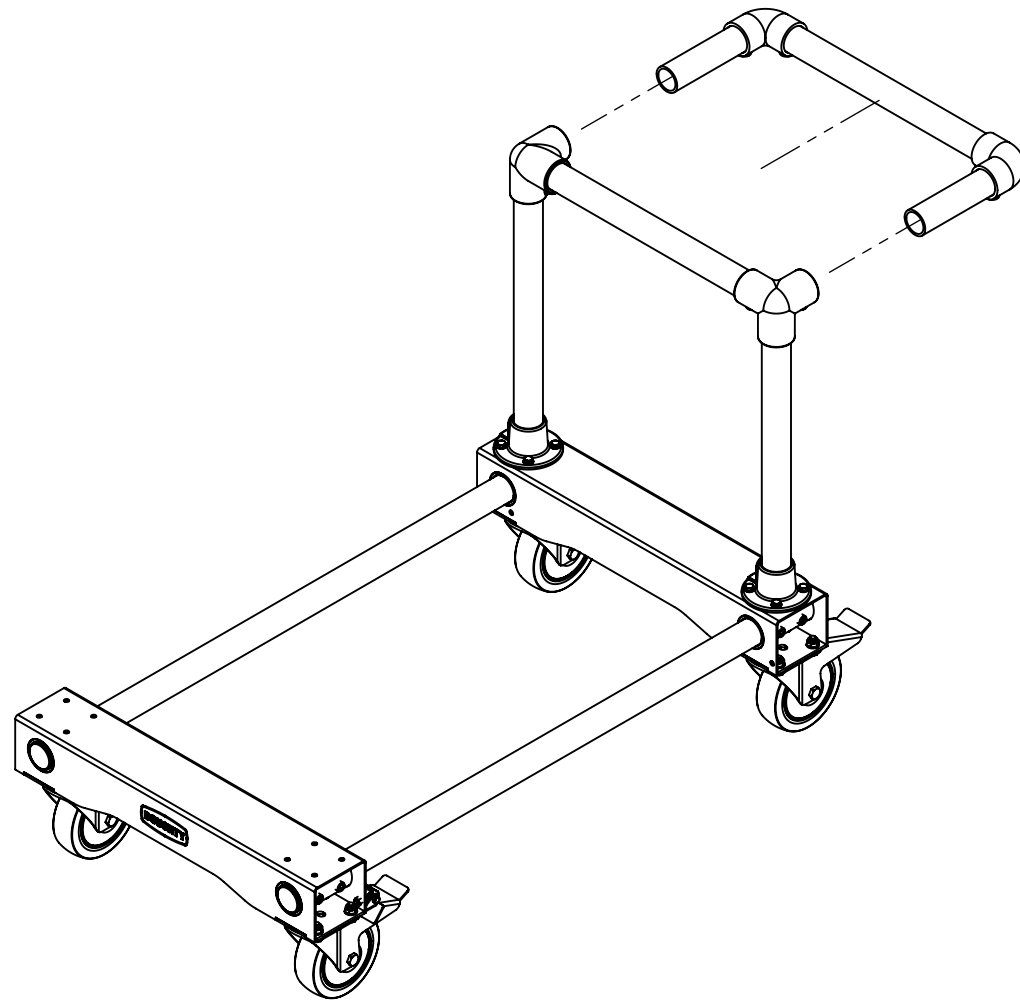
X 2
(T12500)



6.

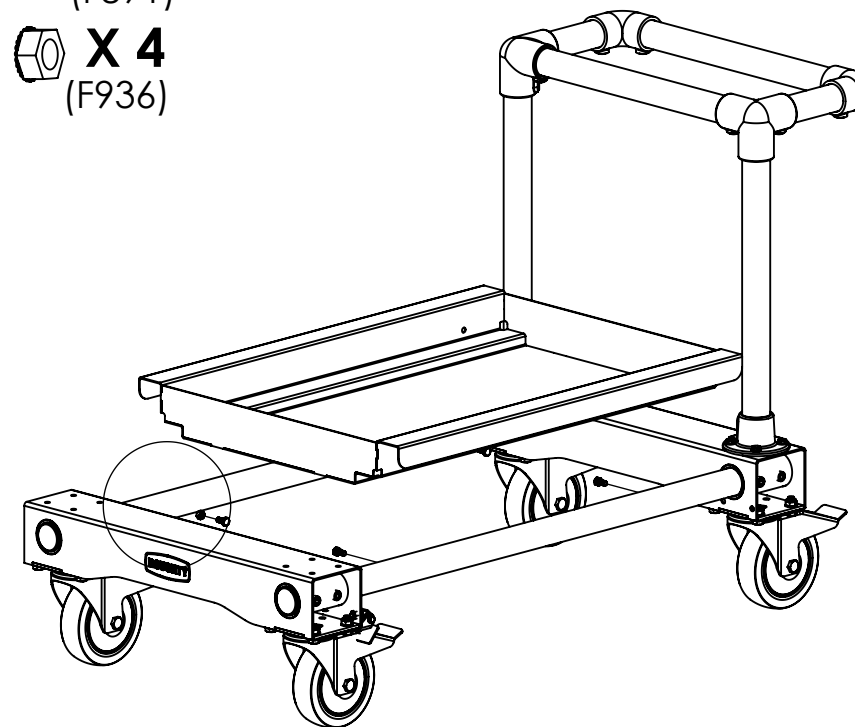
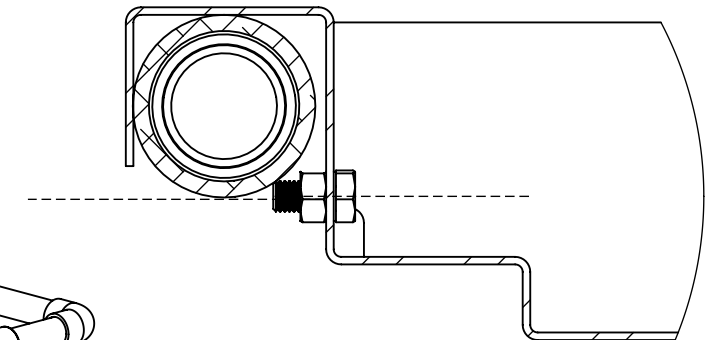


7.



8.

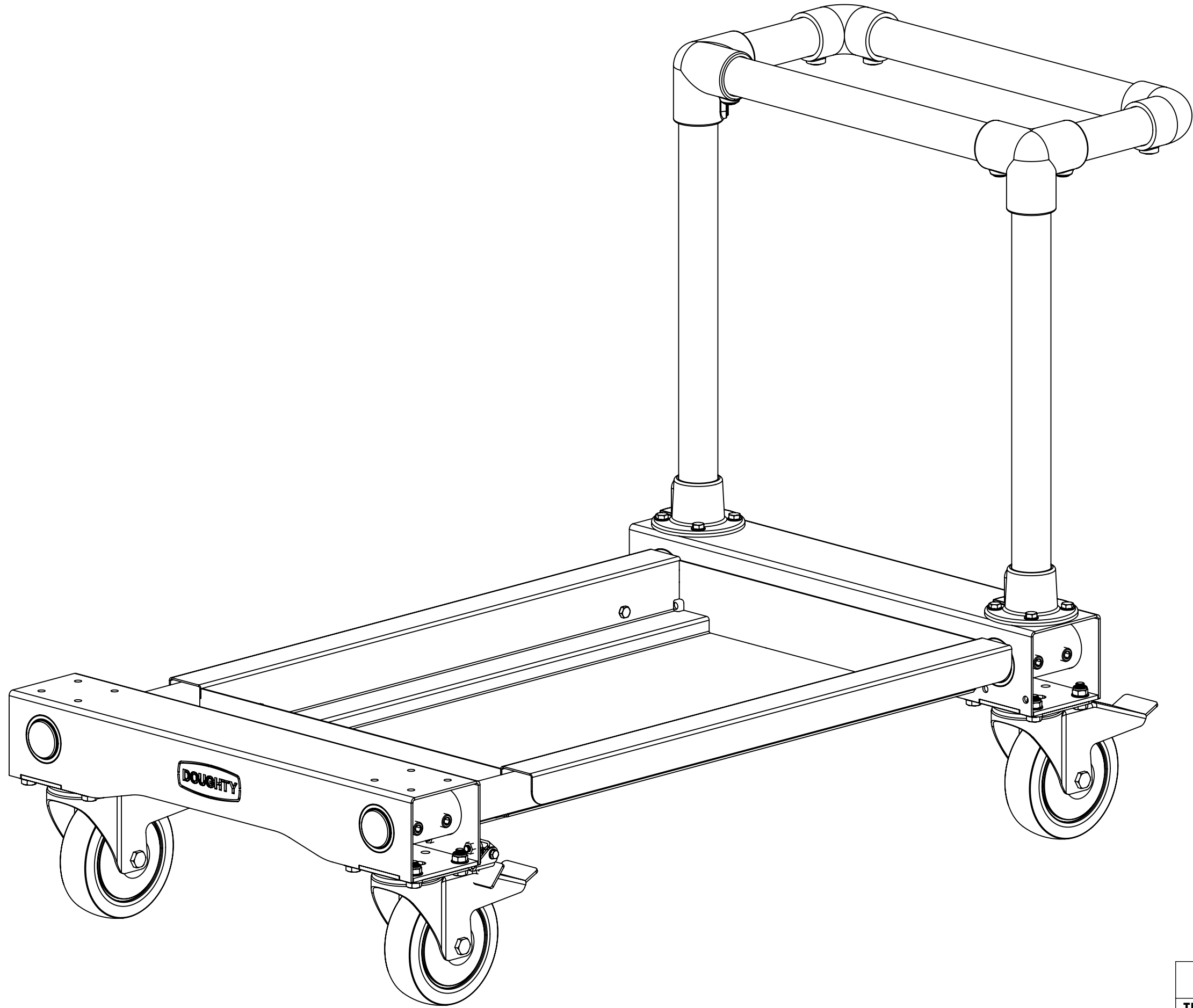
- (M8 X 16)
X 4
(F2500)
- X 4**
(F891)
- X 4**
(F936)



TITLE
COMPACT TANK TRAP
TRANSPORTER TROLLEY

DWG NO
T54269 SHEET 3 OF 5

9.



DOUGHTY

TITLE

BRACE WEIGHT
TRANSPORTER TROLLEY

DWG NO

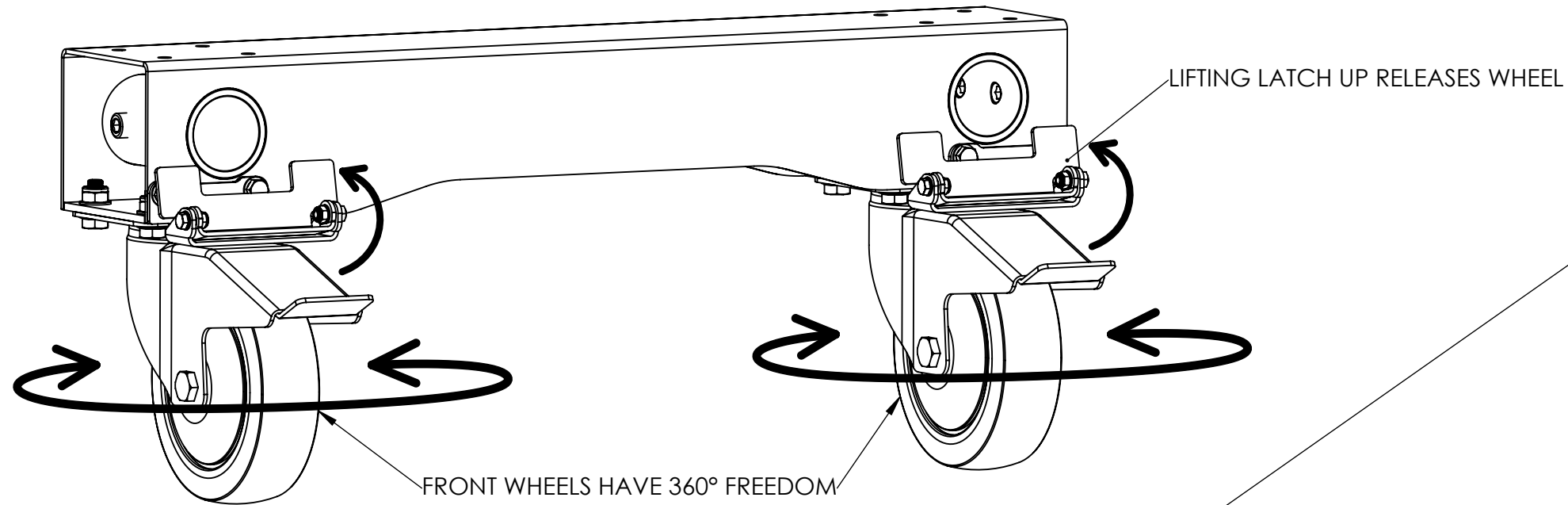
G3505

SHEET 4 OF 5

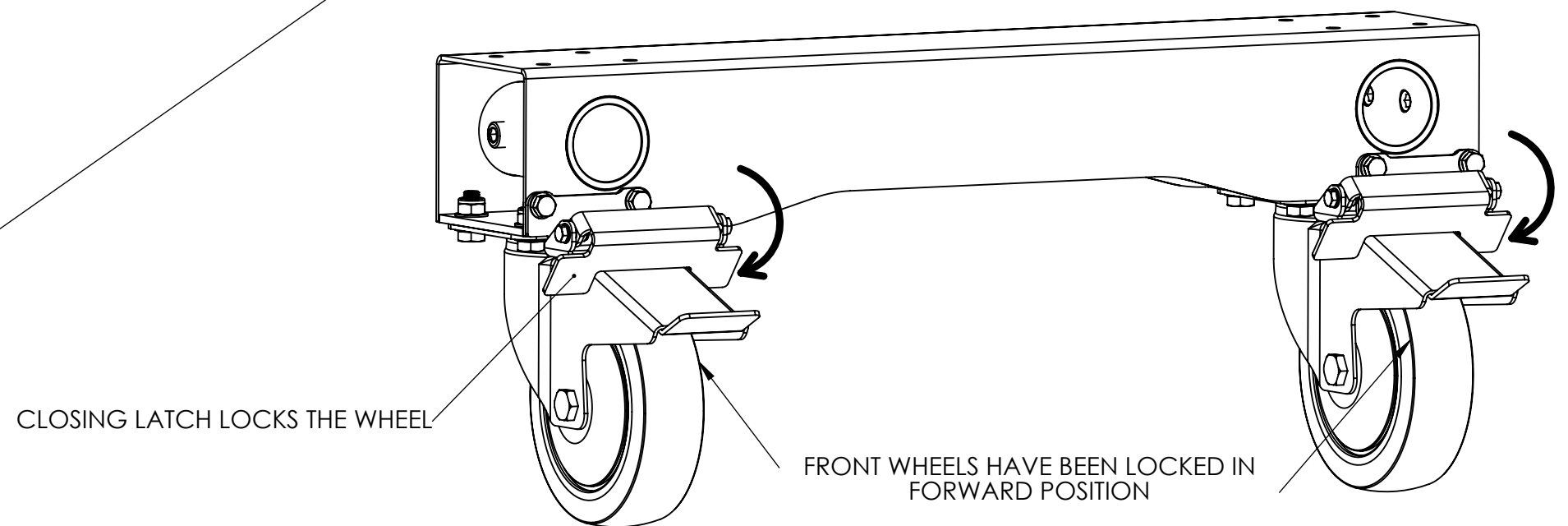
WHEN FINISHED: ENSURE ALL FASTENERS ARE NOW FULLY TIGHTENED

CASTOR LOCK INSTRUCTIONS

CASTOR LOCK OPEN



CASTOR LOCK CLOSED



THE CASTER LOCKS ARE USED TO CONVERT A TROLLEY FROM A 4-WHEEL STEER TO A 2-WHEEL STEER CONFIGURATION. THIS LOCKS THE FRONT WHEELS, ALLOWING ONLY REAR WHEELS TO STEER FOR MORE CONTROL.

USING 4-WHEEL STEER MAYBE PREFERABLE FOR PARKING OR STEERING THE TROLLEY WHEN A SECOND PERSON CAN ASSIST.

THE USE OF THE CASTER LOCKS IS RECOMMENDED ON SLOPED OR UNEVEN SURFACES, TO CONTROL THE TROLLEY FROM UNEXPECTEDLY VEERING OFF COURSE.

DOUGHTY

TITLE CASTOR LOCK INSTRUCTIONS

DWG NO G3508

SHEET 5 OF 5