



Gate Eyes

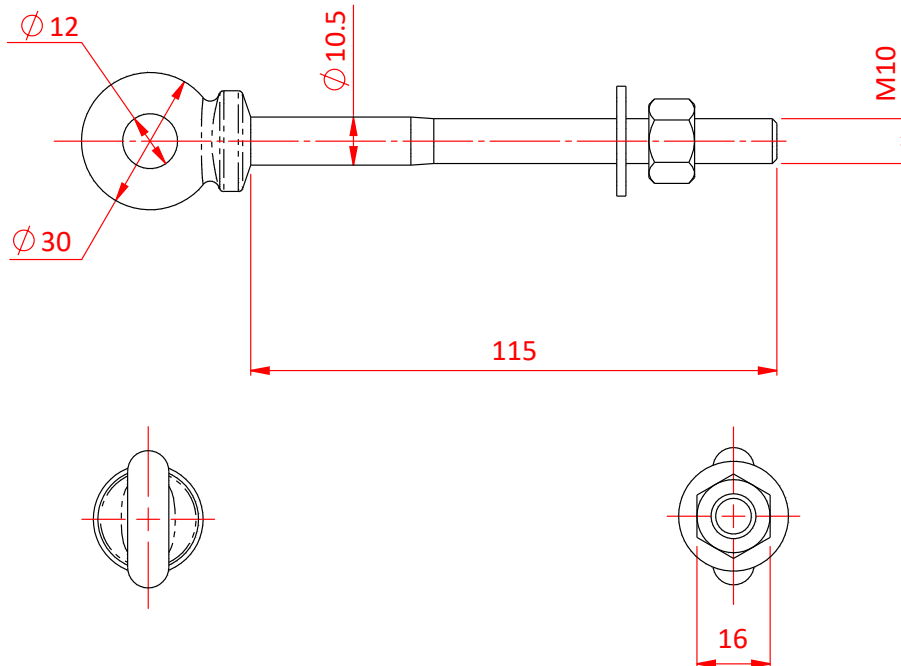
Product Data Sheet



A zinc plated stud and eye	
Part Nos	T42600 - M10 x 115mm - 0.14Kg T42700 - M12 x 135mm - 0.19Kg
Fixing hole diameter	T42600 - Ø12mm T42700 - Ø18mm
Materials	Mild Steel
Finish	BZP
WLL	Not rated

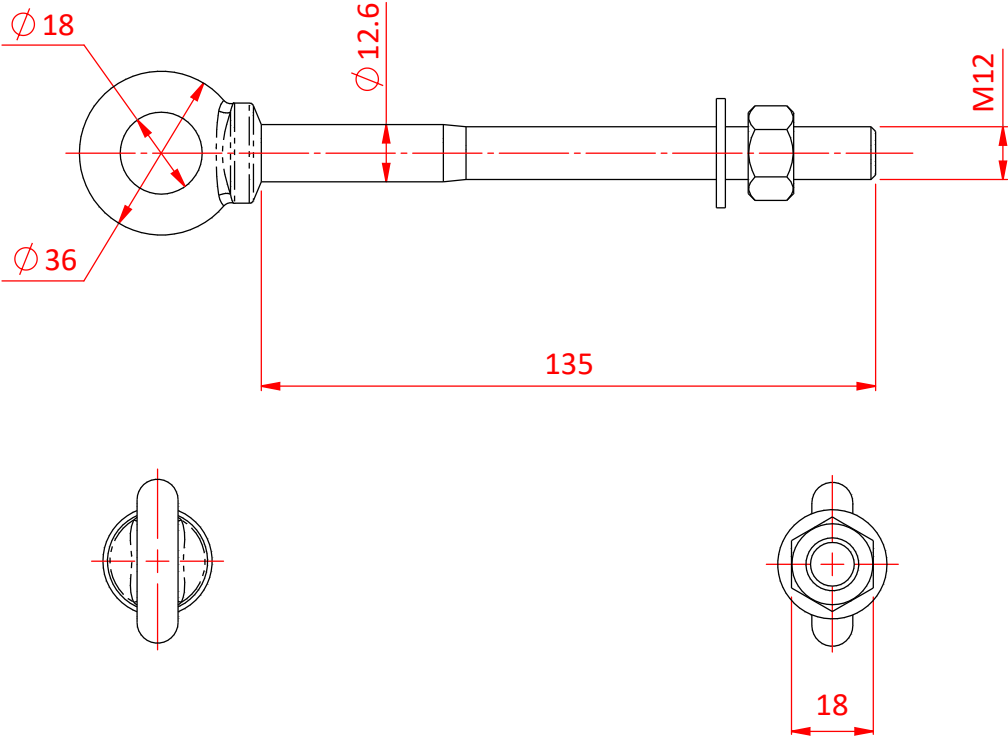
Dimensions in mm

T42600



DIMENSIONS ARE A GUIDE ONLY AND MAY VARY

T42700



DIMENSIONS ARE A GUIDE ONLY AND MAY VARY