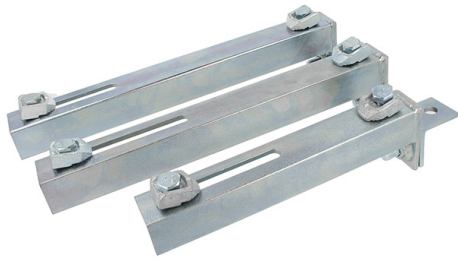




# Girder Clamp with End Bracket

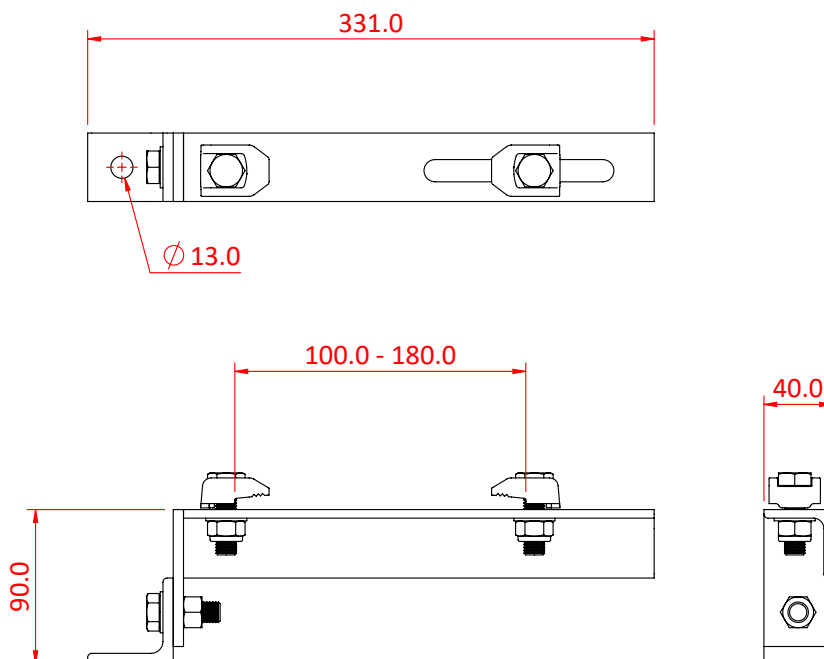
## Product Data Sheet



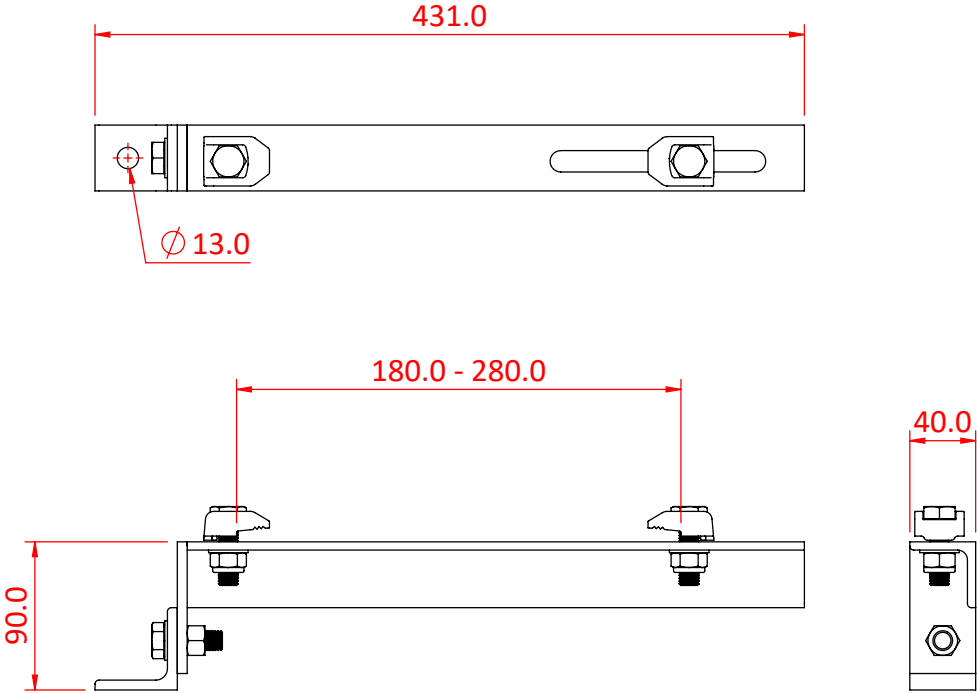
A range of Girder Clamps with a removable M12 tapped end bracket	
<b>Part Nos</b>	T29804 - 1.38Kg T29805 - 1.64Kg T29806 - 1.66Kg
<b>Fits Beams</b>	T29804 - 100-180mm T29805 - 180-280mm T29806 - 240-330mm
<b>Material</b>	S275 Mild Steel Fixings - Grade 8.8
<b>Finish</b>	BZP
<b>WLL</b>	60Kg
<b>Factor of Safety</b>	5:1

Dimensions in mm

T29804



T29805



T29806

