



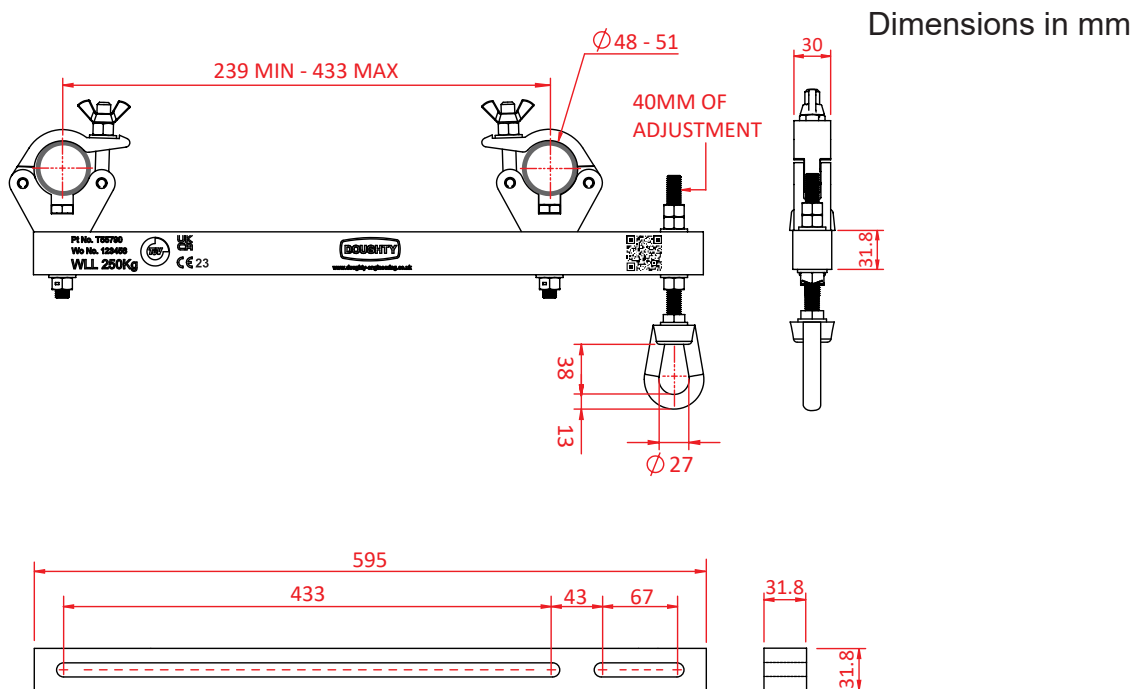
# 250Kg Rigging Bar



## Product Data Sheet



An aluminium rigging bar	
<b>Part Nos</b>	T55790
<b>Tube Diameter</b>	Ø48-51mm
<b>Tube Centres</b>	239 to 433mm
<b>Material</b>	AW6082 T6 Aluminium Fixings Grade 8.8 Bow Nut S275 Mild Steel
<b>Finish</b>	Powder painted black
<b>Max Torque</b>	30Nm
<b>WLL</b>	250Kg
<b>Safety Factor</b>	8:1
<b>Weight</b>	3.10Kg
<b>Approval</b>	TÜV approved



DIMENSIONS ARE A GUIDE ONLY AND MAY VARY

Doughty Engineering Ltd - Crow Arch Lane, Ringwood, Hampshire, BH24 1NZ, UK  
 +44 (0) 1425 478961, sales@doughty-engineering.co.uk - www.doughty-engineering.co.uk