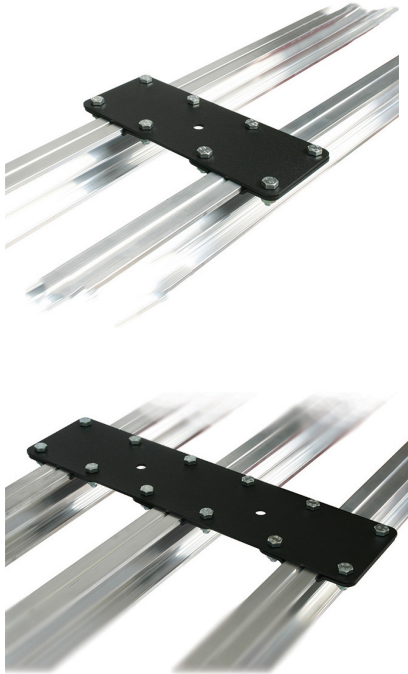




Product Data Sheet

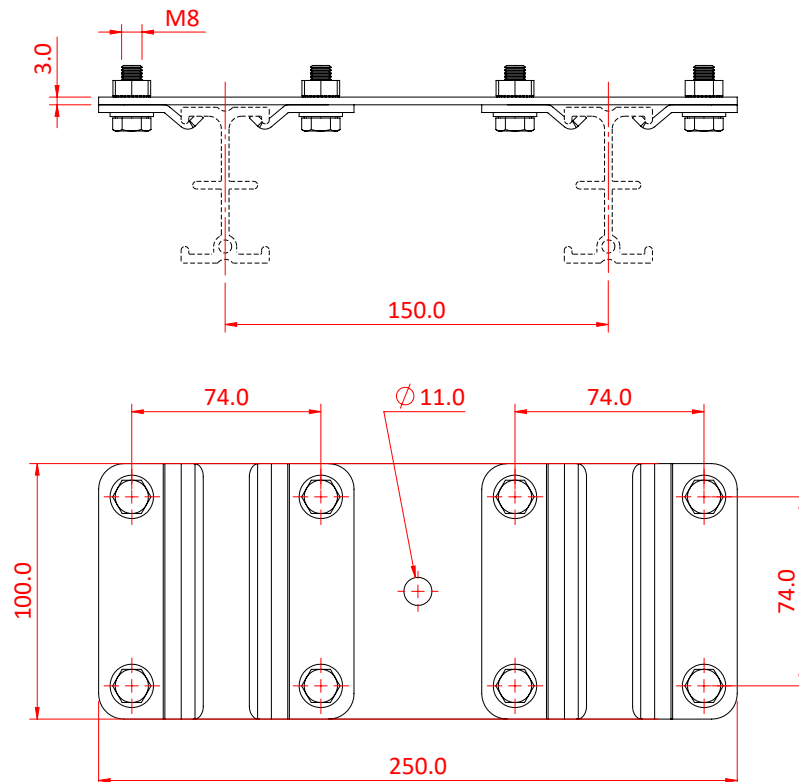
Studio Rail 60 - Spacer Plates



Studio Rail 60 spacer plates	
Part Nos	T84110 - Double rail - 1.00Kg T84115 - Triple rail - 1.30Kg
Rail clamps	T84110 - Supplied with x 4 rail clamps T84115 - Supplied with x 6 rail clamps
Material	CR4 Mild Steel
Finish	Powder Painted Black
Rating	Not for suspension

Dimensions in mm

T84110



T84115

