



Product Data Sheet

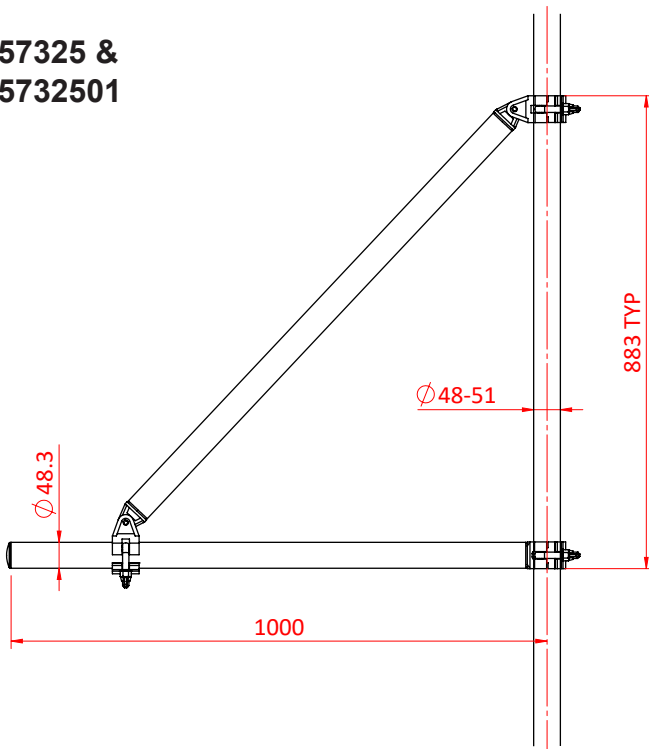
# Aluminium Braced Boom Arms



A Braced Boom Arm	
<b>Part Nos &amp; Finish</b>	T57325 - Powder painted silver T5732501 - Powder painted black T57328 - Powder painted silver (Brace only) T5732801 - Powder painted black (Brace only)
<b>Tube Diameter</b>	Ø48 - 51mm
<b>Materials</b>	Main Body - AW6082 T6 Aluminium Roll Pins - Stainless Steel Eyebolt Assy - Grade 8.8
<b>Max Tightening Torque</b>	30Nm
<b>WLL</b>	100Kg
<b>Safety Factor</b>	5:1

Dimensions in mm

T57325 &  
T5732501



T57328 &  
T5732801

