



Swivel Truss Plates

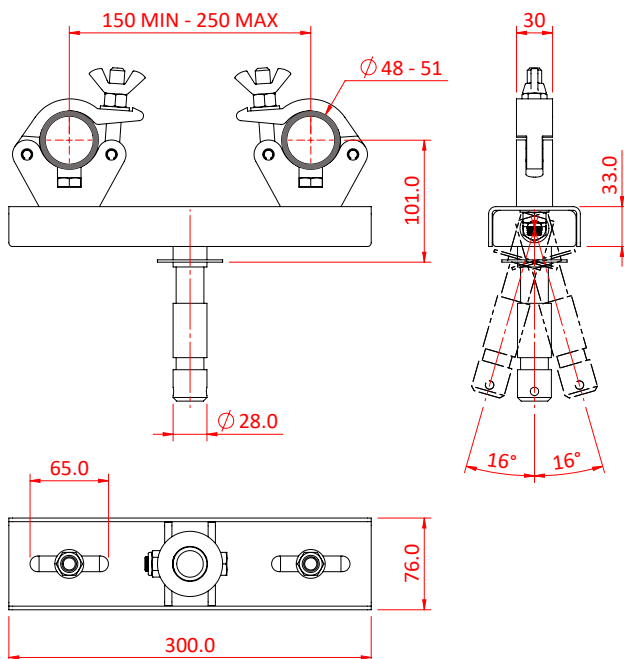
Product Data Sheet



A Swivel Truss Adaptor	
Part Nos	T55704 - 150 to 250mm Centres T55705 - 200 to 400mm Centres
Tube Diameter	Ø48-51mm
Material	S275 Mild Steel - Plate AW6082 T6 Aluminium - Clamp Grade 8.8 - Fixings Stainless - Roll Pins & Spigot
Finish	Polished
Max Torque	30Nm
WLL	200Kg
Safety Factor	5:1

Dimensions in mm

T55704



T55705

