



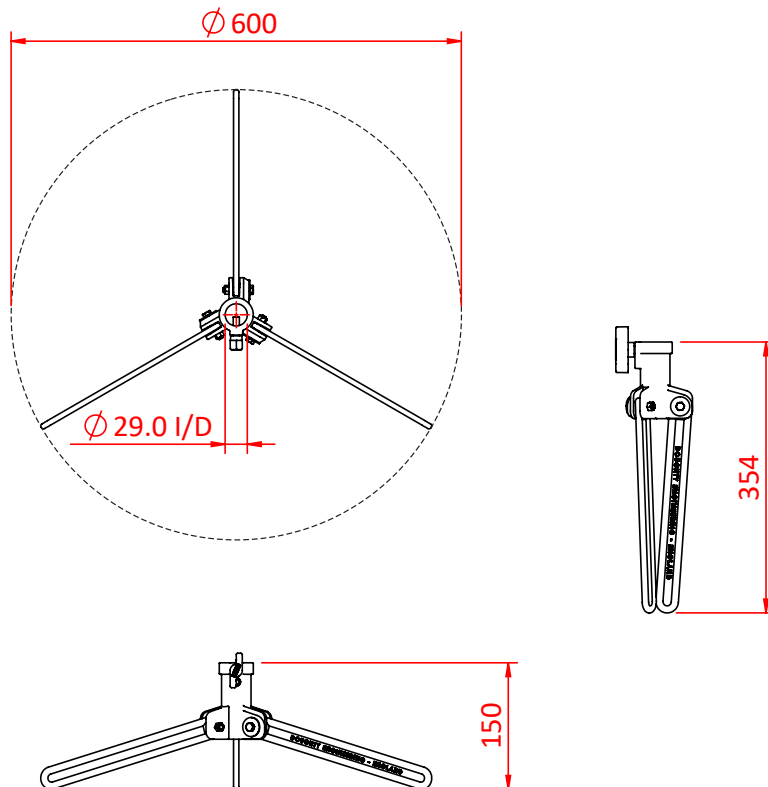
Nipper Stand

Product Data Sheet



A low folding stand with 29mm Receiver.	
Part Nos	T54100
Receiver	29mm
Finish	Black Powder Paint
Materials	Aluminium
WLL	10Kg
Weight	1.28Kg
Safety Factor	5:1

Dimensions in mm



DIMENSIONS ARE A GUIDE ONLY AND MAY VARY