



35mm Speaker Adaptors

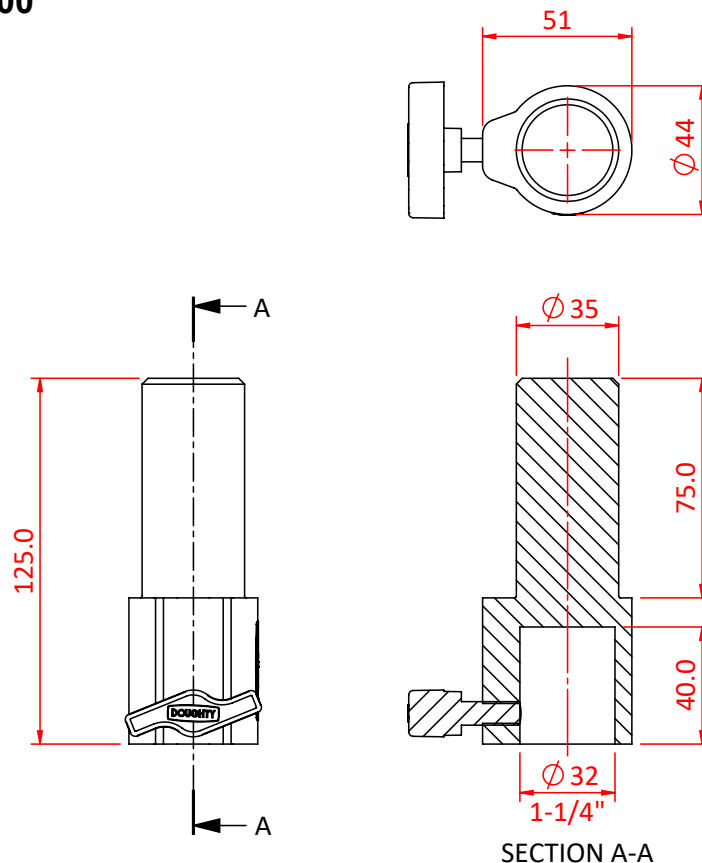
Product Data Sheet



An aluminium stand top with a 35mm diameter speaker spigot. Available to fit 32mm (1¼") or 38mm (1½") stand tubes.	
Part Nos	T51000 - 0.38Kg T51100 - 0.35Kg
Materials	Aluminium Grade 8.8 Fixings
Finish	Powder painted black
Spigot diameter	Ø35mm
Receiver Diameter	T51000 - Ø32mm T51100 - Ø38mm
WLL	Not rated

T51000

Dimensions in mm



T51100

