



# 19mm Spigot Receivers

## Product Data Sheet

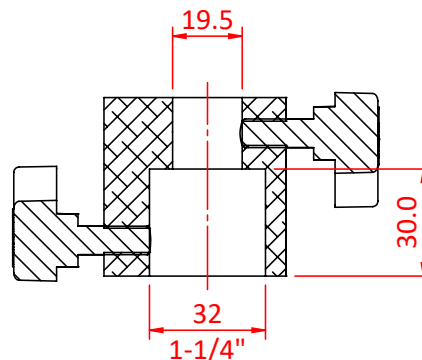
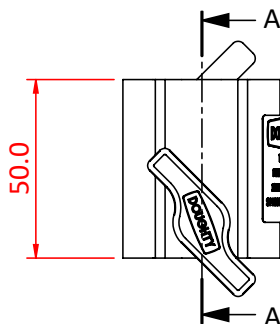
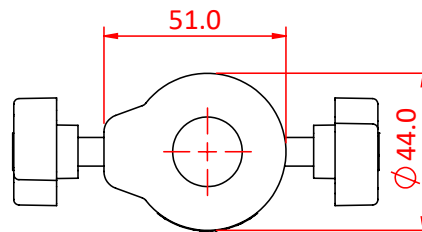


An aluminium stand top to accept 19mm diameter spigots.  
Available to fit 32mm (1 1/4") or 38mm (1 1/2") stand tubes.

<b>Part Nos</b>	T50900 T50901
<b>Materials</b>	Aluminium Grade 8.8 Fixings
<b>Finish</b>	Powder painted black
<b>Receiver Diameter</b>	Ø19mm
<b>Base diameter</b>	T50900 - Ø32mm T50901 - Ø38mm
<b>WLL</b>	Not rated
<b>Weight</b>	T50900 - 0.24Kg T50901 - 0.20Kg

### T50900

Dimensions in mm



**T50901**

