



Barrel Receivers

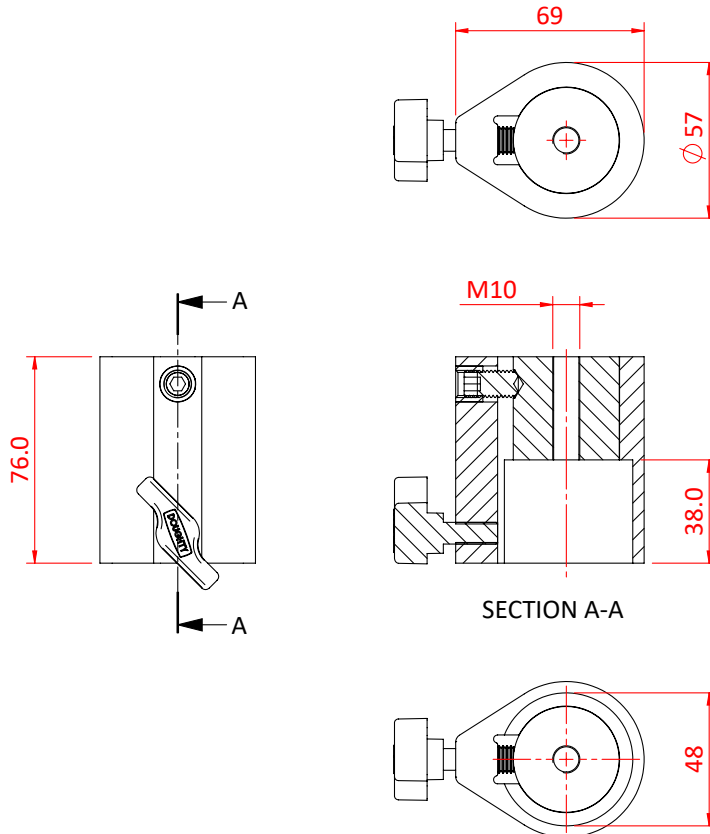
Product Data Sheet



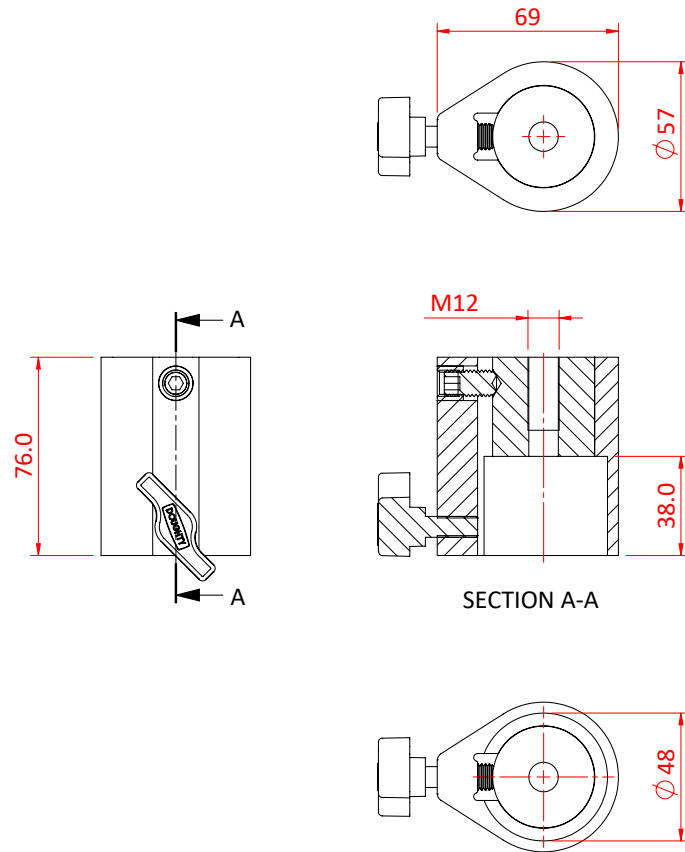
A range of barrel receivers.	
Part Nos	T50820 - Ø48mm - M10 T50825 - Ø48mm - M12 T50830 - Ø51mm - M10 T50835 - Ø51mm - M12
Materials	AW6082 T6 Aluminium Grade 8.8 Fixings
Finish	Powder coated crackle black
Weight	0.45Kg
WLL	Not rated

Dimensions in mm

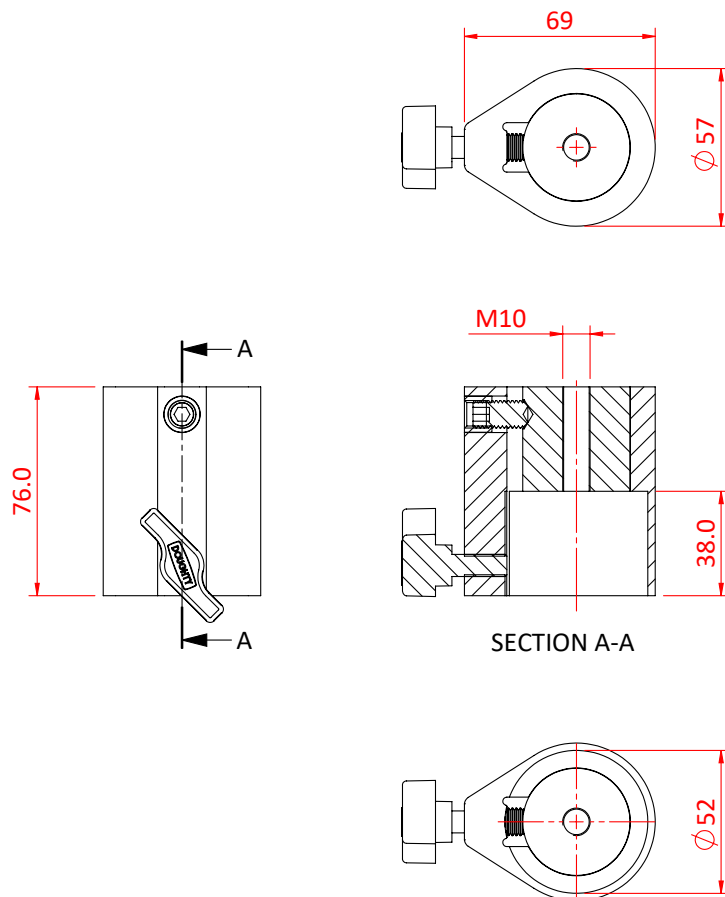
T50820



T50825



T50830



T50835

