



80mm Castor Kits

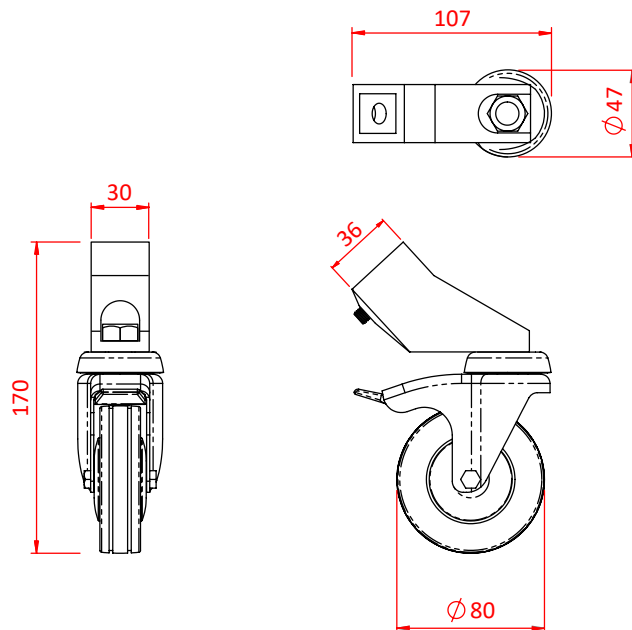
Product Data Sheet



A range of lockable 80mm castor kits for Doughty stands.	
Part Nos	T50500 T50502 T50503
Wheel Diameter	Ø80mm
Materials	Pressed Steel - Bracket Grey Rubber - Wheels Aluminium - Castor Mounting Fixings Grade 8.8
Stands	T50500 - Neutron, Nova, Comet, Cine Combo T50502 - Followspot, Nebula, Studio, Combo T50503 - Easylift

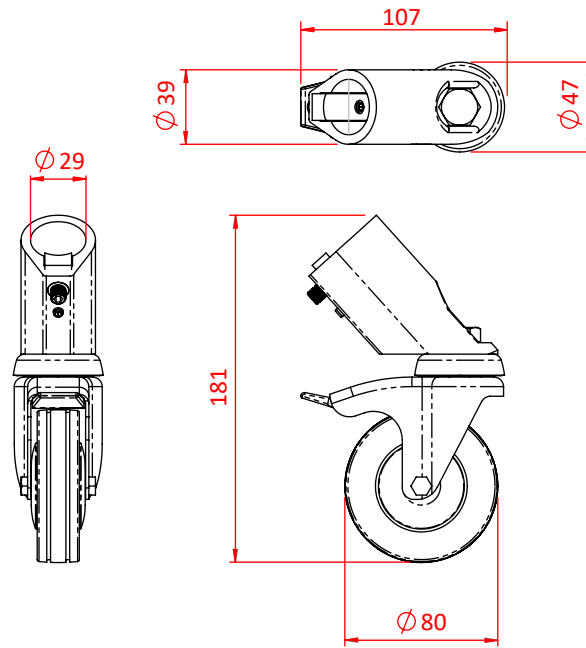
Dimensions in mm

T50500 - 80mm Kit (Neutron, Nova, Comet & Cine Combo)



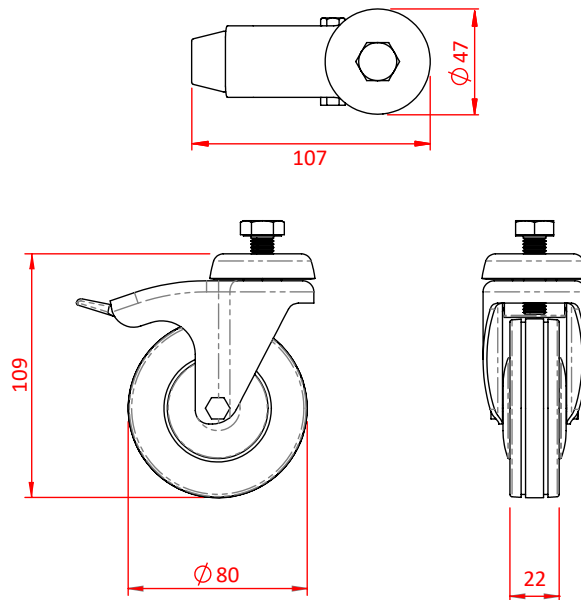
DIMENSIONS ARE A GUIDE ONLY AND MAY VARY

T50502 - 80mm Kit (Followspot, Nebula, Studio & Combo)



DIMENSIONS ARE A GUIDE ONLY AND MAY VARY

T50503 - 80mm Castor Kit (Easylift)



DIMENSIONS ARE A GUIDE ONLY AND MAY VARY