



Product Data Sheet

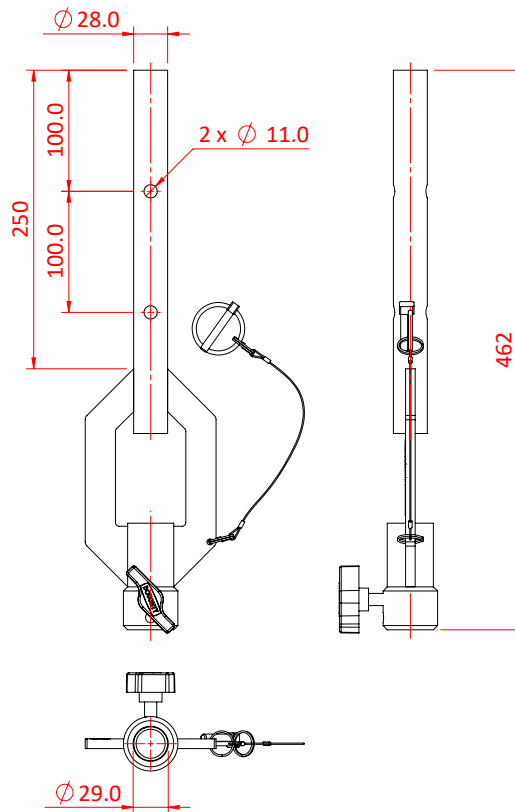
Single-Ended Adjustable Drop Arms



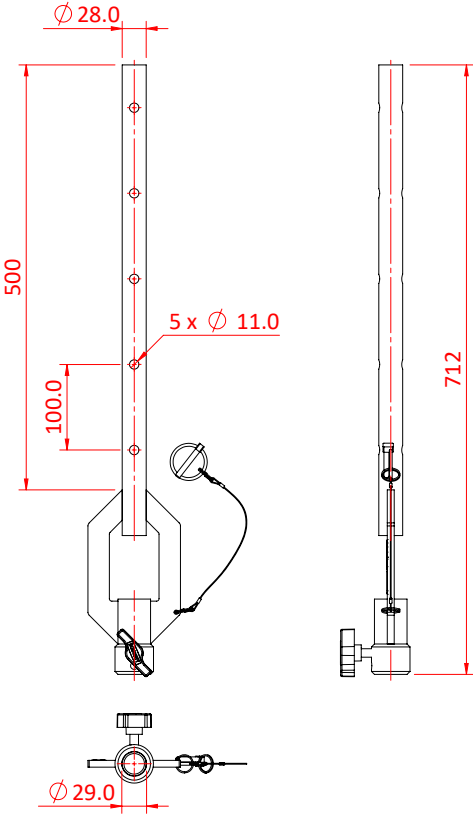
| | |
|--|---|
| An adjustable drop arm using pre-drilled holes in a 28mm diameter tube and a securing pin. | |
| Part Nos | T45610 - 250mm - 1.66Kg T45612 - 500mm - 1.85Kg T45614 - 750mm - 2.04Kg T45616 - 1000mm - 2.23Kg |
| Materials | Stainless Steel Grade 8.8 Fasteners |
| Receiver | 29mm |
| Spigots | Fits Barrel Socket Clamp (G1115) |

Dimensions in mm

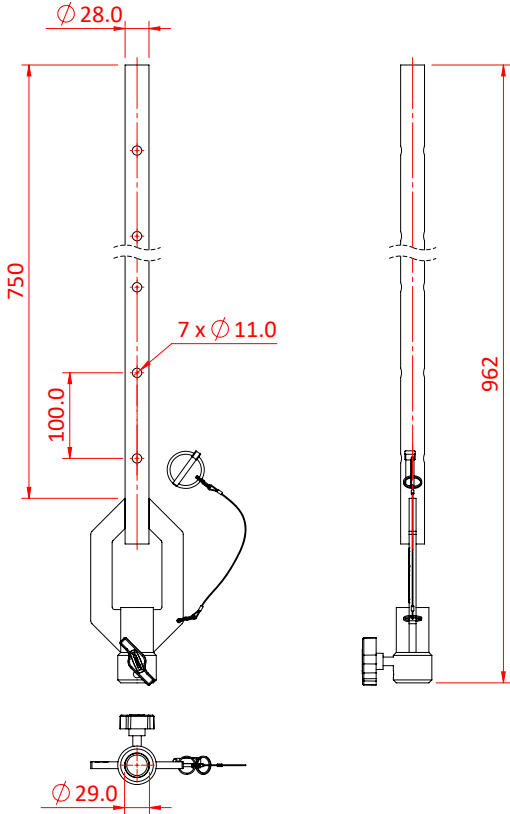
T45610



T45612



T45614



T45616

