



Pantograph 3.0m Drop

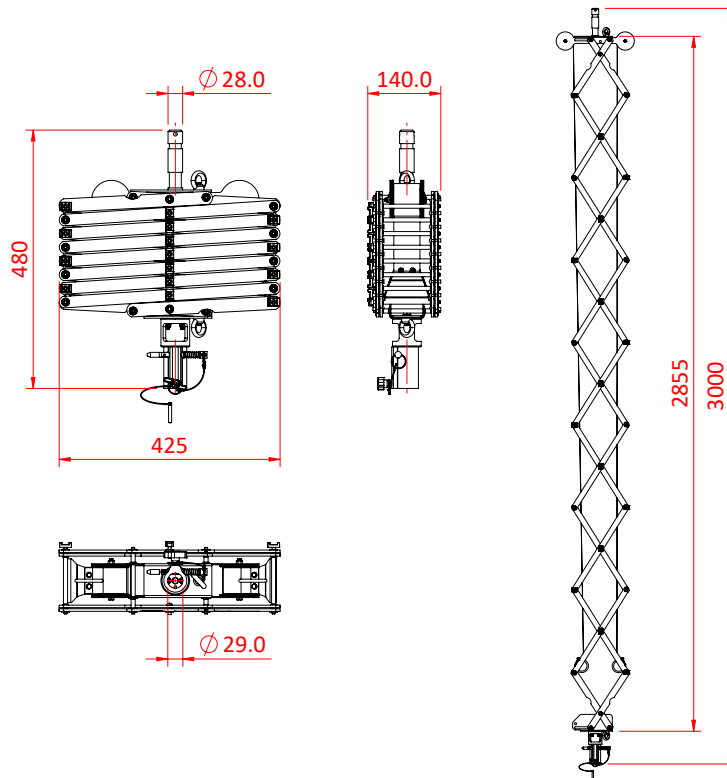
Product Data Sheet



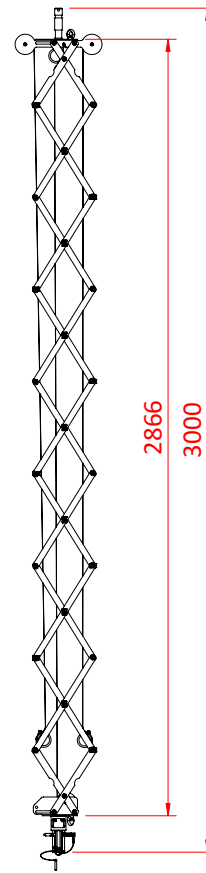
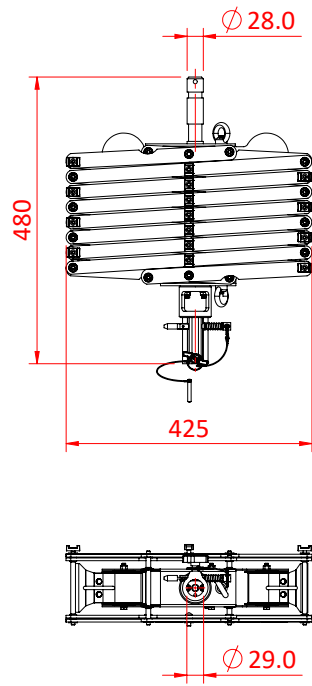
A 3.0m Doughty Sprung Pantograph	
Part Nos	G1662 - 2 Springs - 9.2Kg G1672 - 3 Springs - 10.6Kg G1682 - 4 Springs - 11.6Kg
Top Mounting	Ø28mm spigot
Bottom Fixing	Ø29mm receiver
WLL	G1662 - 12Kg G1672 - 20Kg G1682 - 27Kg

Dimensions in mm

G1662



G1672



G1682

