



Polyholders

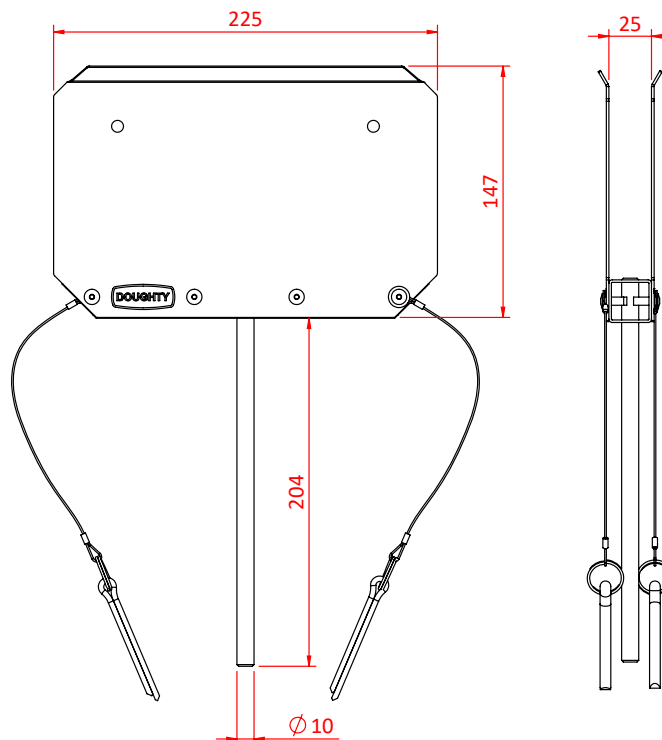
Product Data Sheet



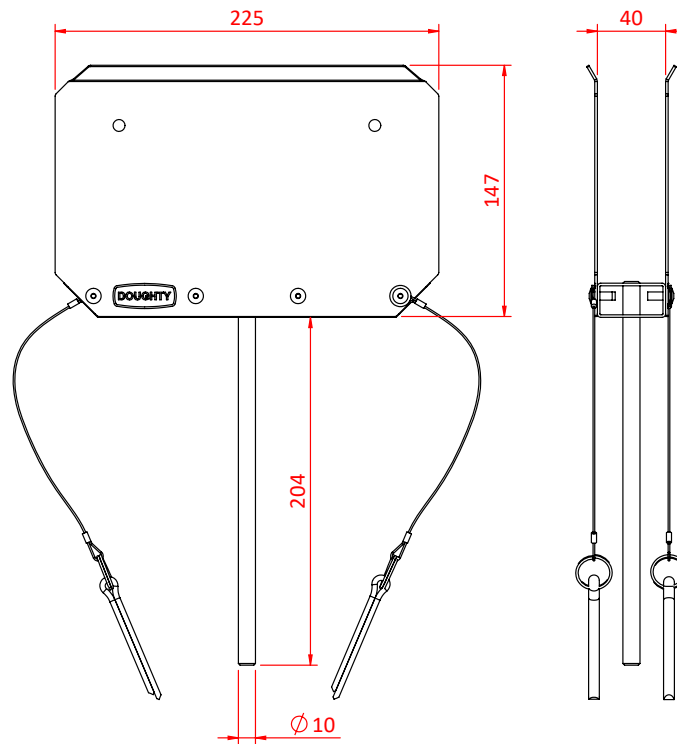
A polyholder fitted with a Ø10mm pin.	
Part Nos	G1140 - Polyholder 25mm - 0.62Kg G1142 - Polyholder 40mm - 0.80Kg G1141 - Polyholder 50mm - 0.83Kg
Materials	AW6082 Aluminium Mild Steel
Finish	Powder painted black and white
Pin Diameter	Ø10mm
WLL	Not Rated

Dimensions in mm

G1140



G1142



G1141

