



G Glamps with Receiver

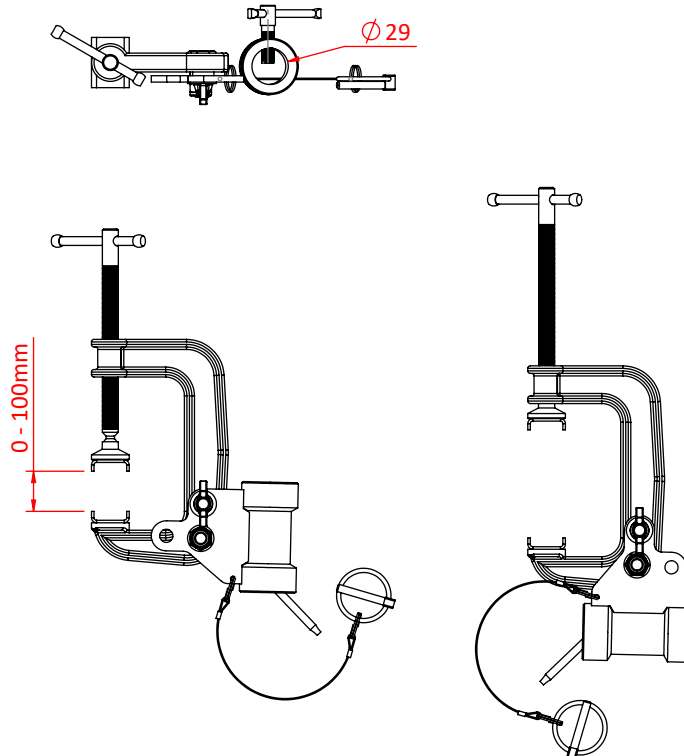
Product Data Sheet



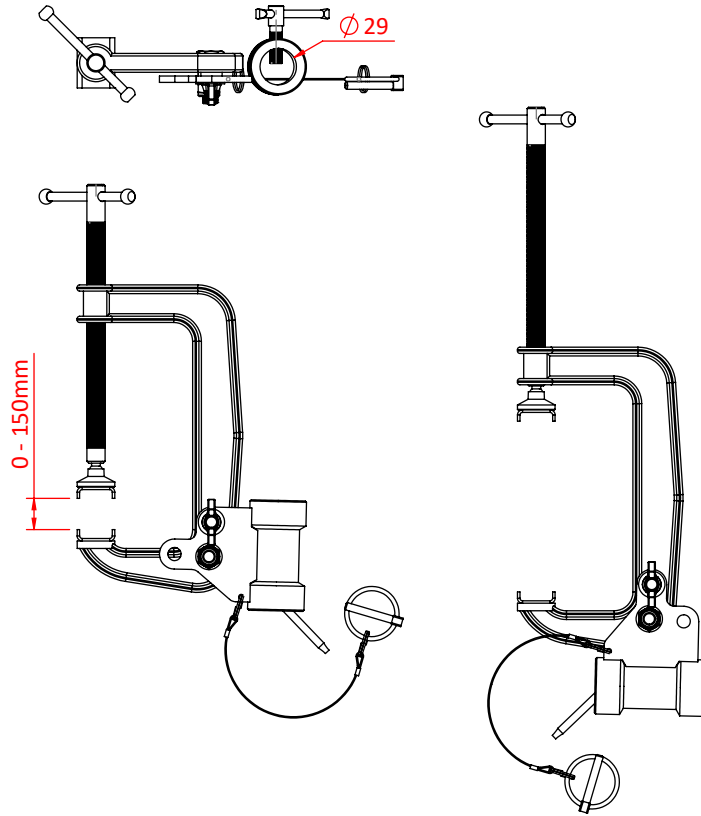
A range of G Clamps fitted with dual Ø29mm receiver	
Part Nos	G1104 - 100mm Python Clamp - 1.28Kg G1106 - 150mm Python Clamp - 2.33Kg G1108 - 200mm Python Clamp - 2.87Kg
Diameter	Ø29mm
Materials	Mild Steel
Finish	Powder coated black
WLL	Not Rated

Dimensions in mm

G1104



G1106



G1108

